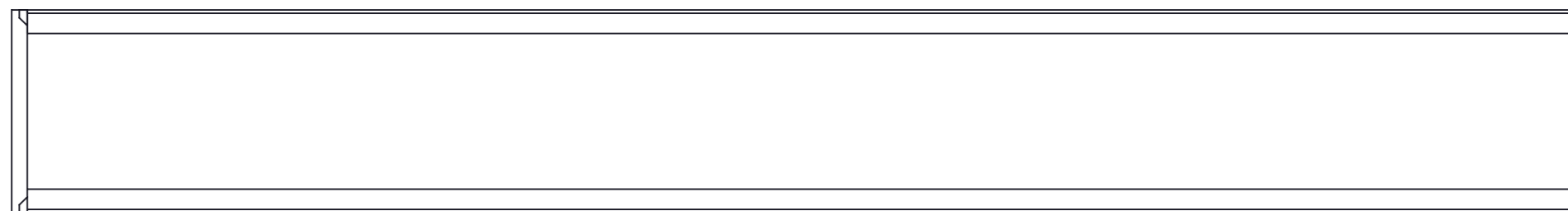
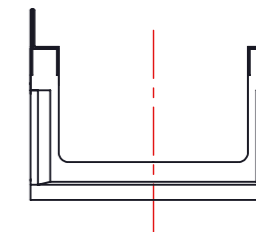
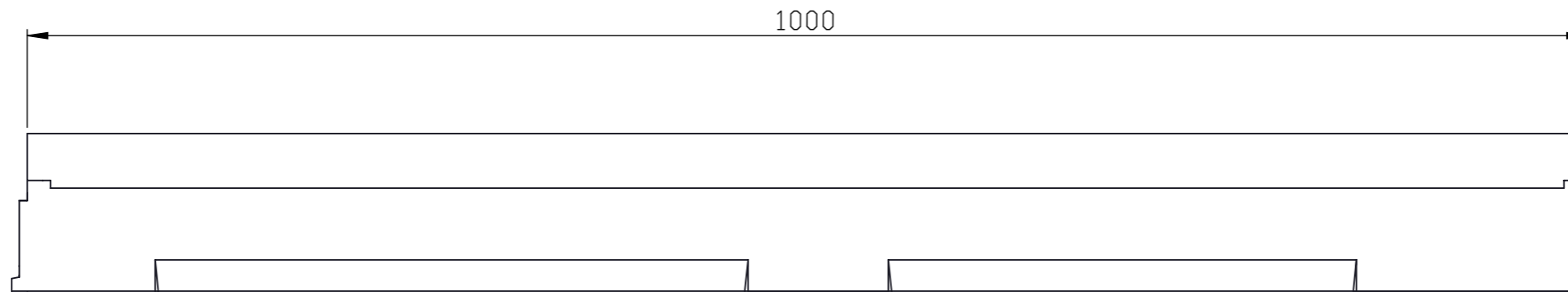
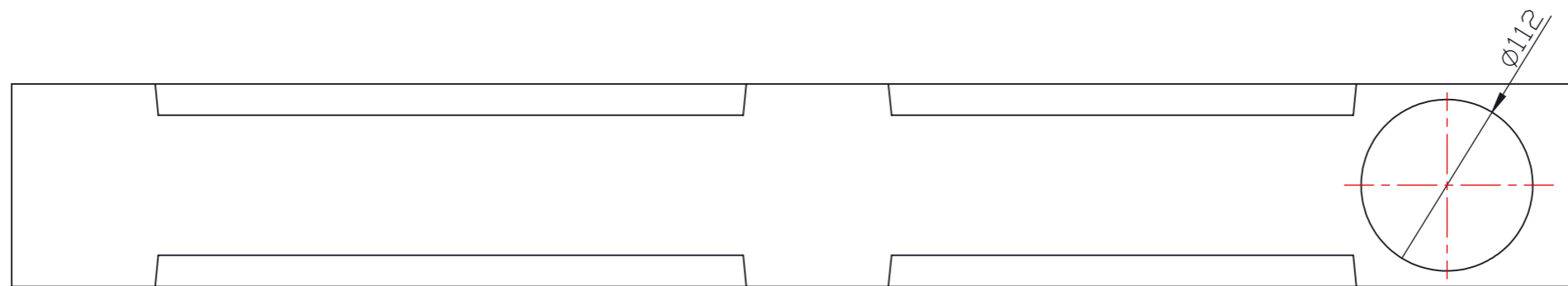
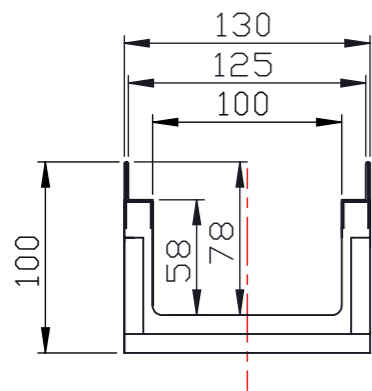

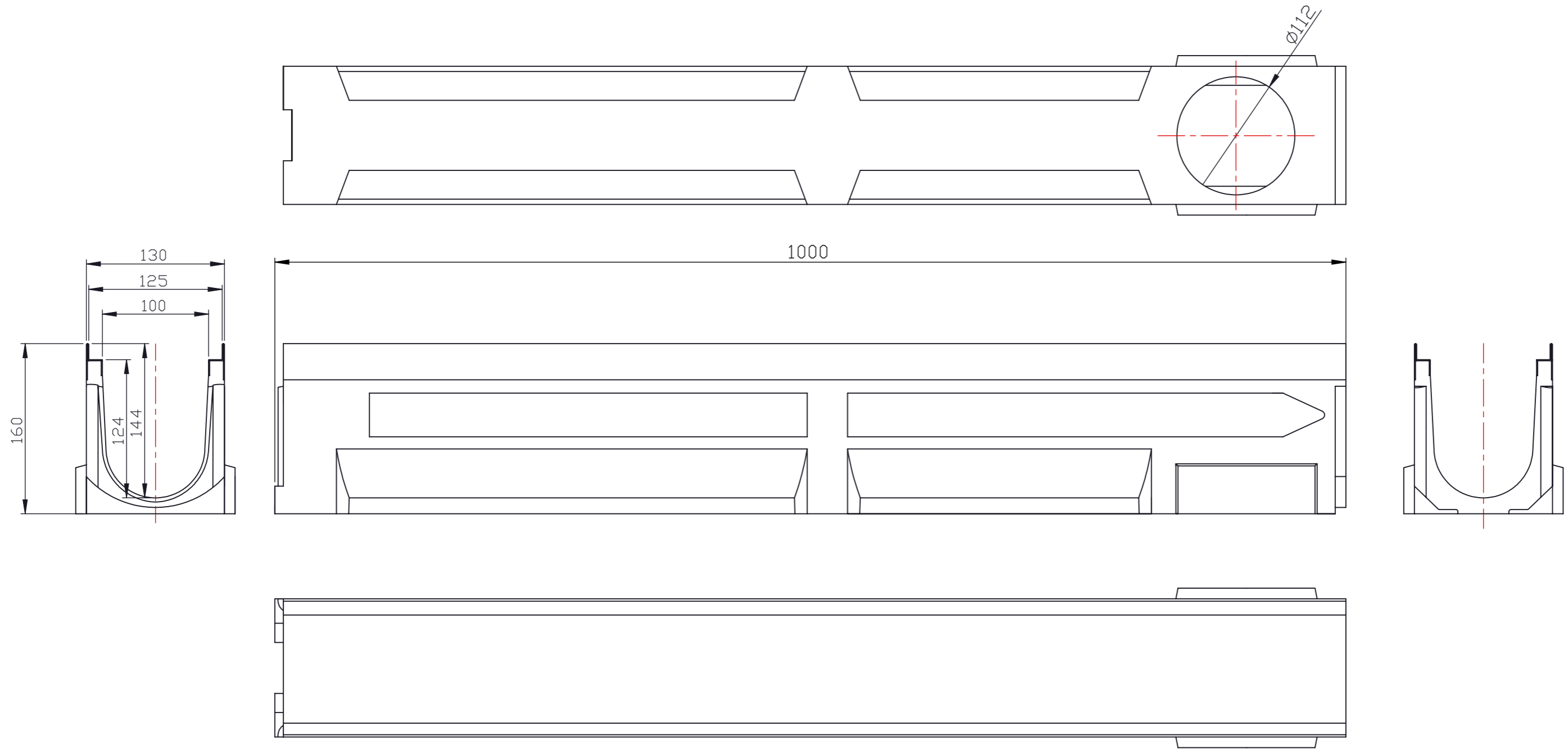

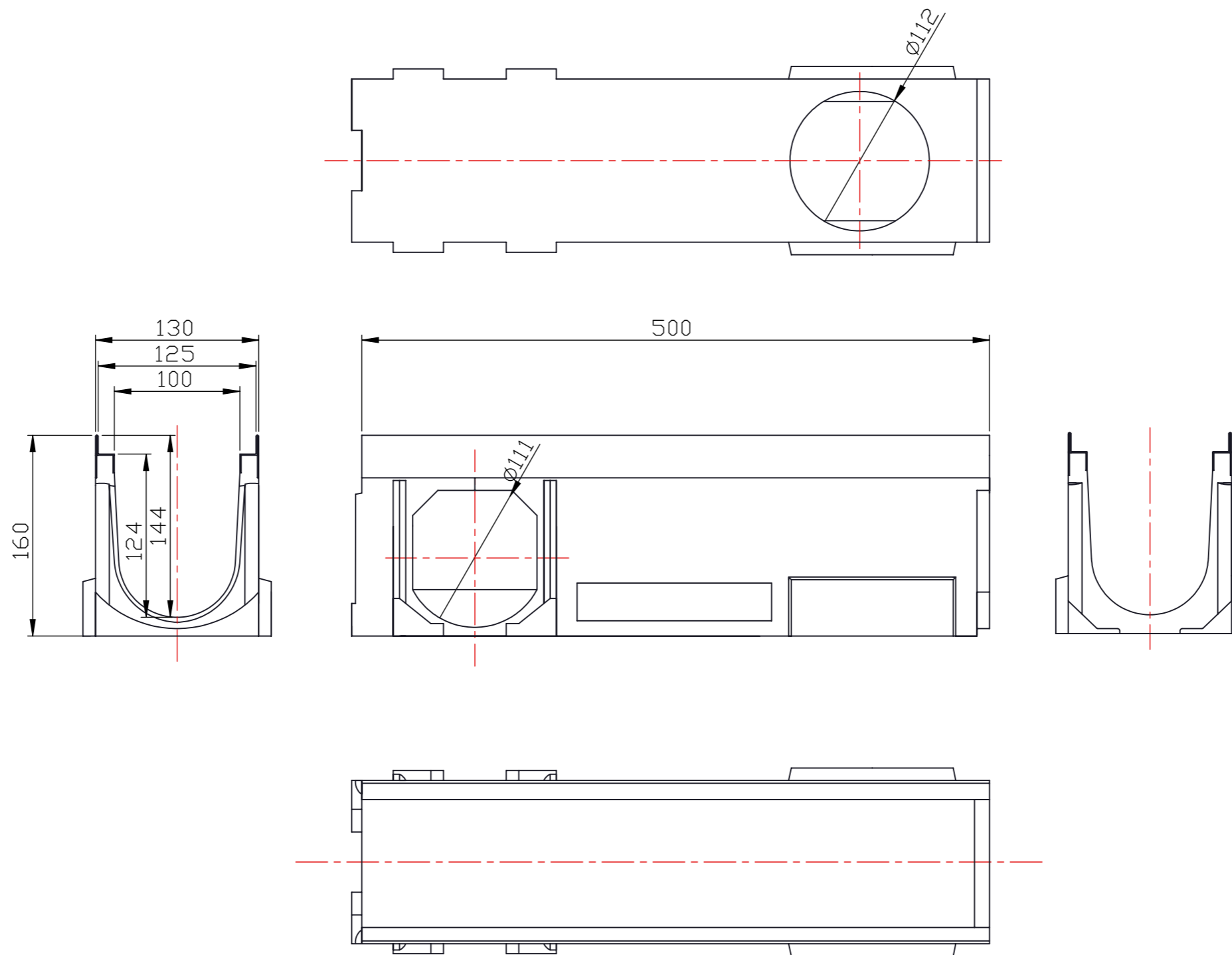
 STORA-DRAIN	Name: PARKING B=100 H=80 L=1000
Material: polyester concrete	Class load: A15 - C250
Protective edge: galvanized / stainless profile	Article number: SP10081000 / SI10081000




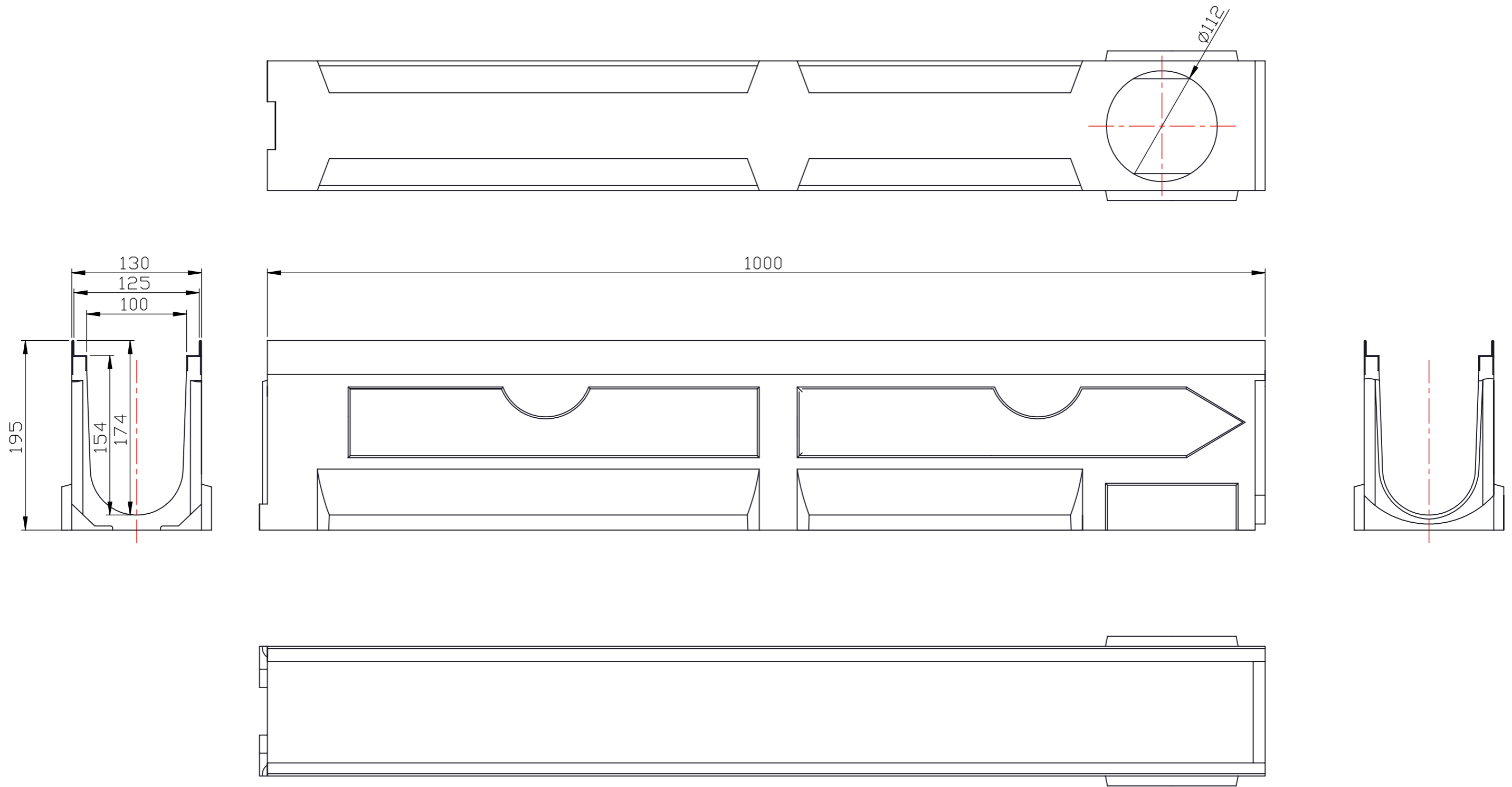
 STORA-DRAIN	Name: PARKING B=100 H=100 L=1000
Material: polyester concrete	Class load: A15 - C250
Protective edge: galvanized / stainless profile	Article number: SP10101000 / SI10101000




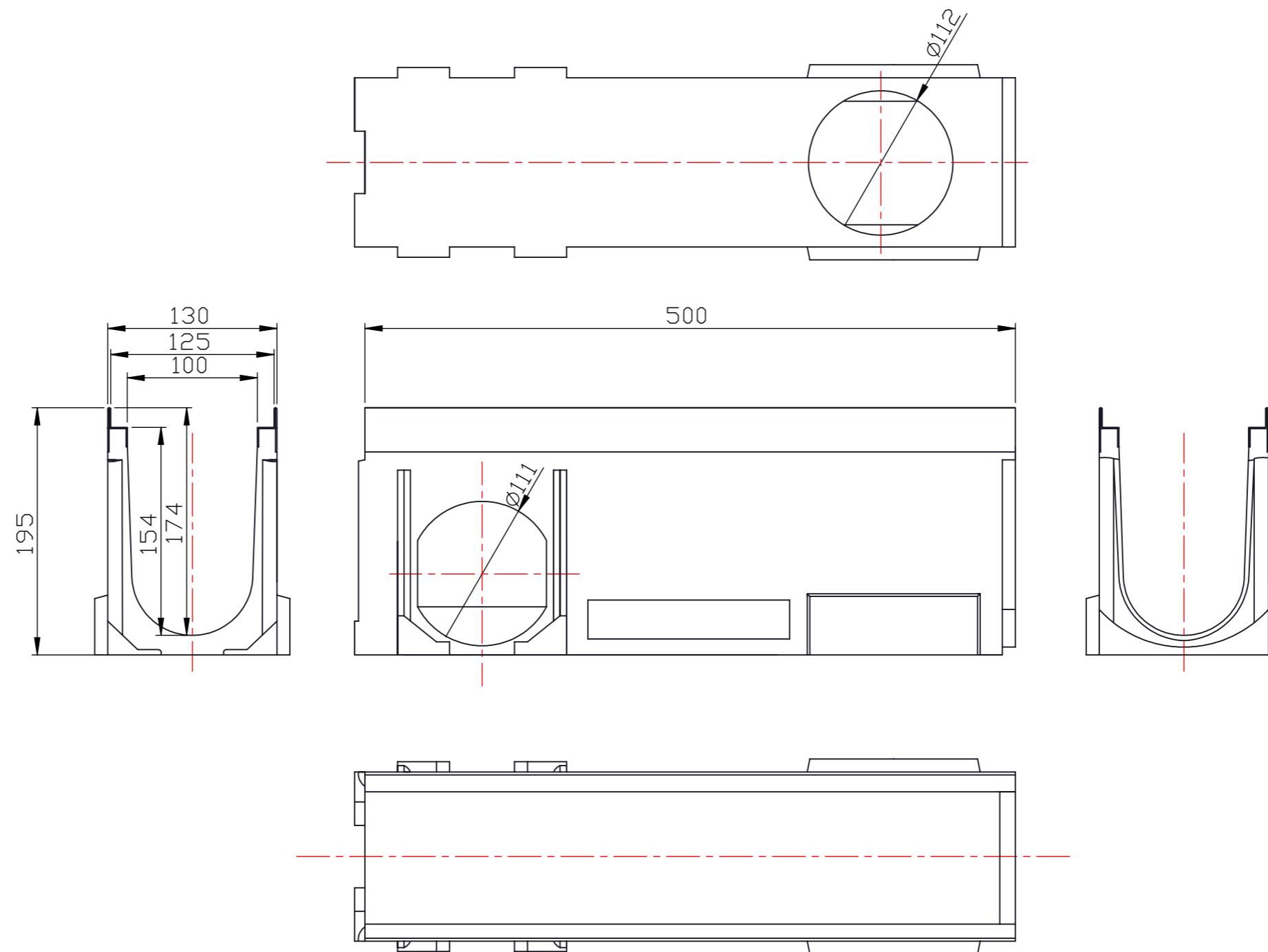
 STORA-DRAIN	Name: PARKING B=100 H=160 L=1000
Material: polyester concrete	Class load: A15 - C250
Protective edge: galvanized / stainless profile	Article number: SP10161000 / SI10161000



 STORA-DRAIN	Name: PARKING B=100 B=160 L=500
Material: polyester concrete	Class load: A15 - C250
Protective edge: galvanized / stainless profile	Article number: SP10165000 / SI10165000



 STORA-DRAIN	Name: PARKING B=100 H=195 L=1000
Material: polyester concrete	Class load: A15 - C250
Protective edge: galvanized / stainless profile	Article number: SP10191000 / SI10191000



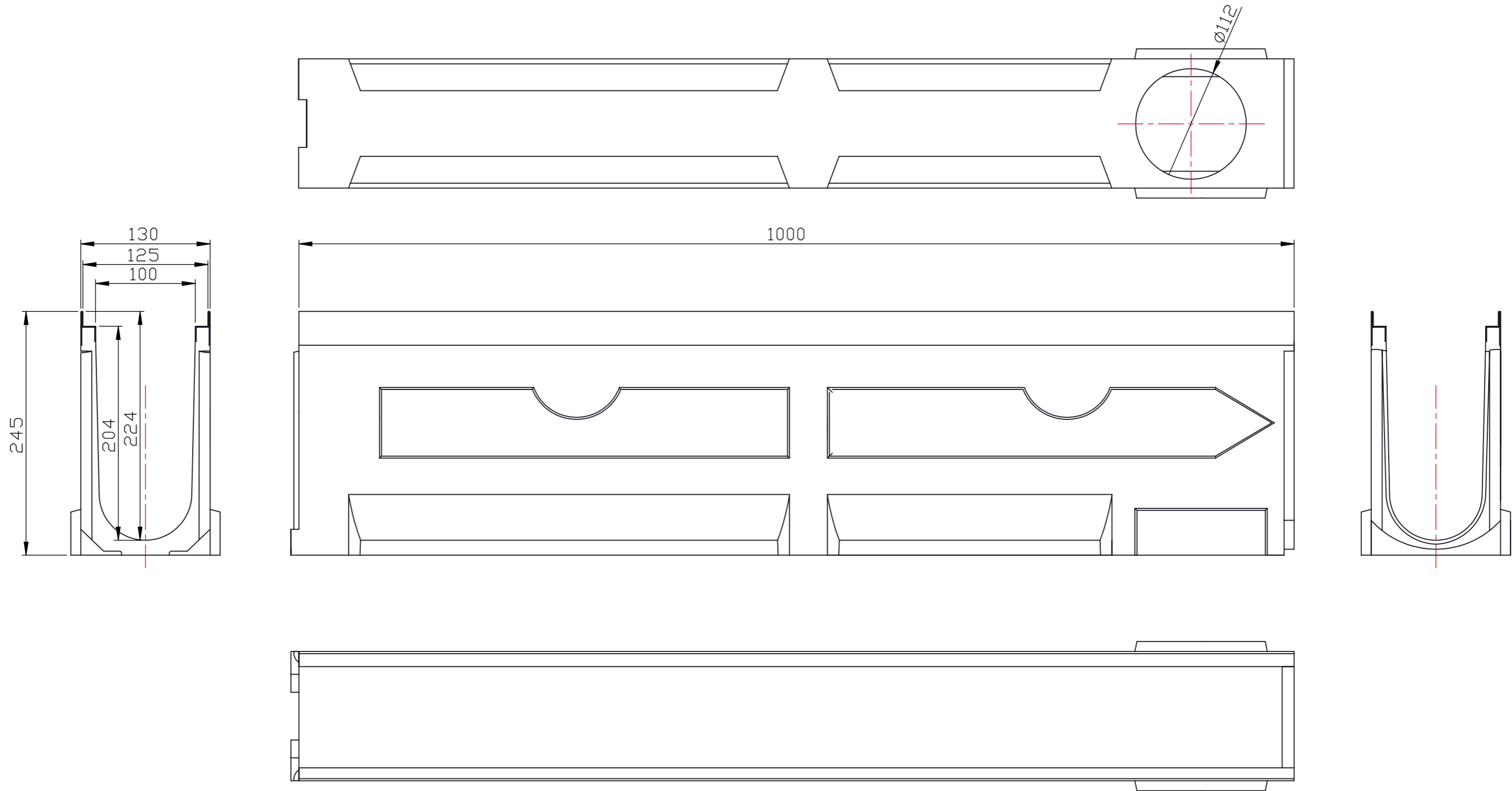
Name:
PARKING B=100 H=195 L=500


Material:
polyester concrete

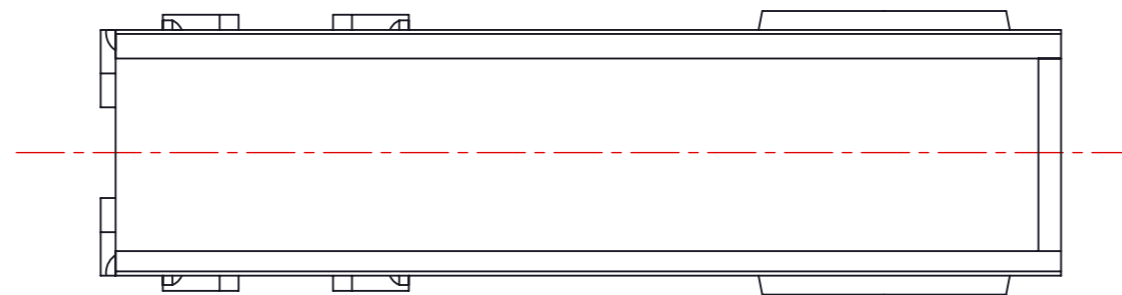
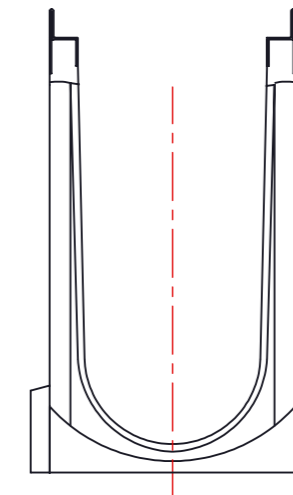
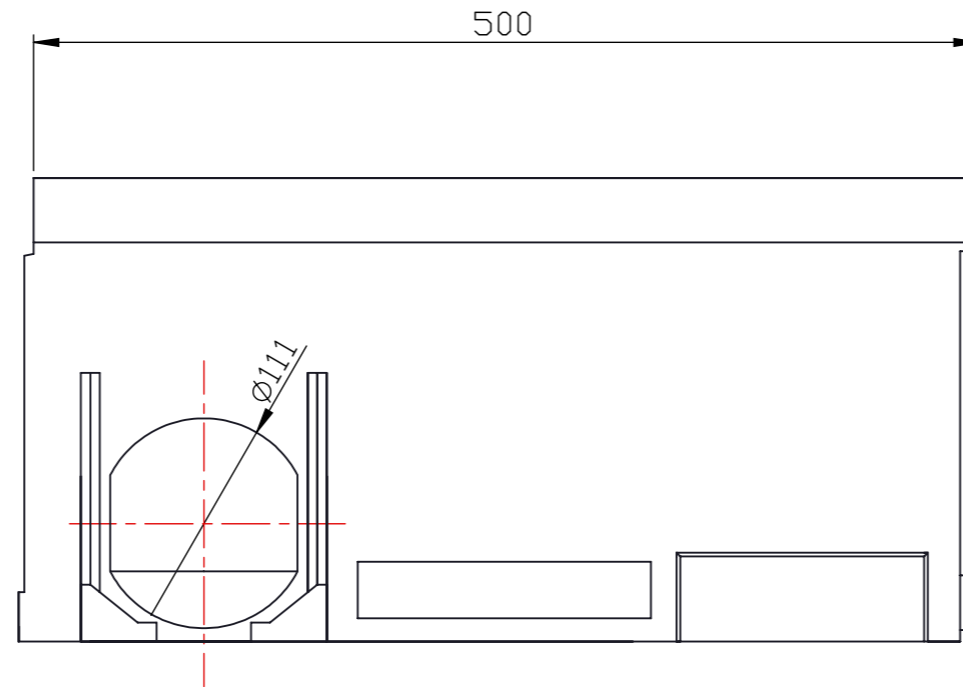
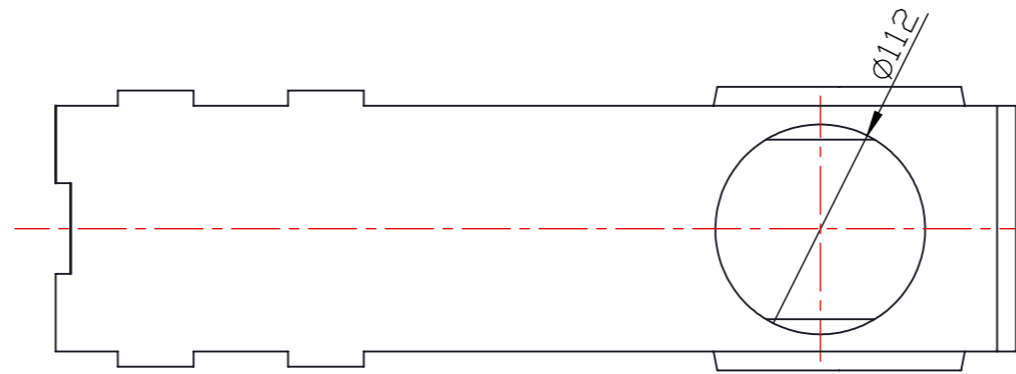
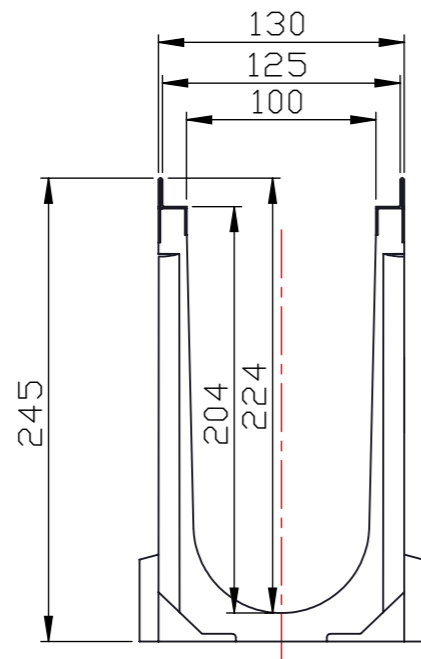
Class load:
A15 - C250


Protective edge:
galvanized / stainless profile

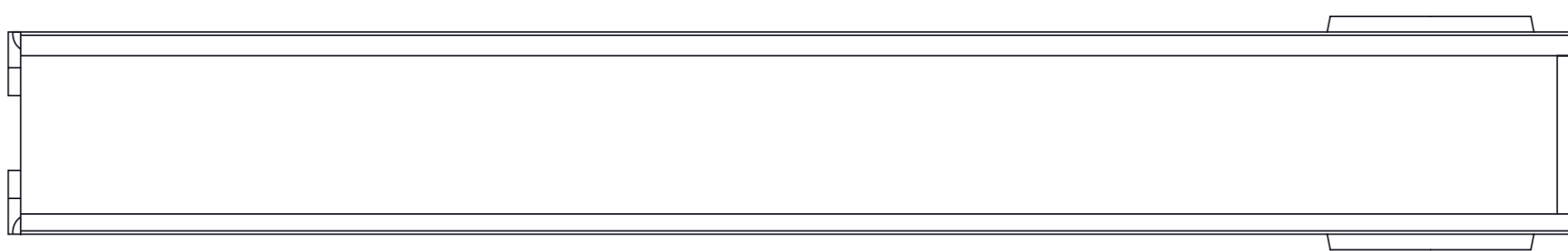
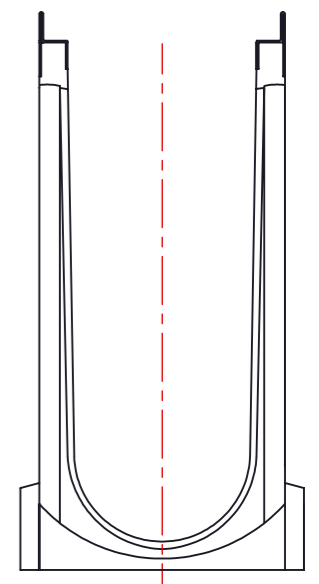
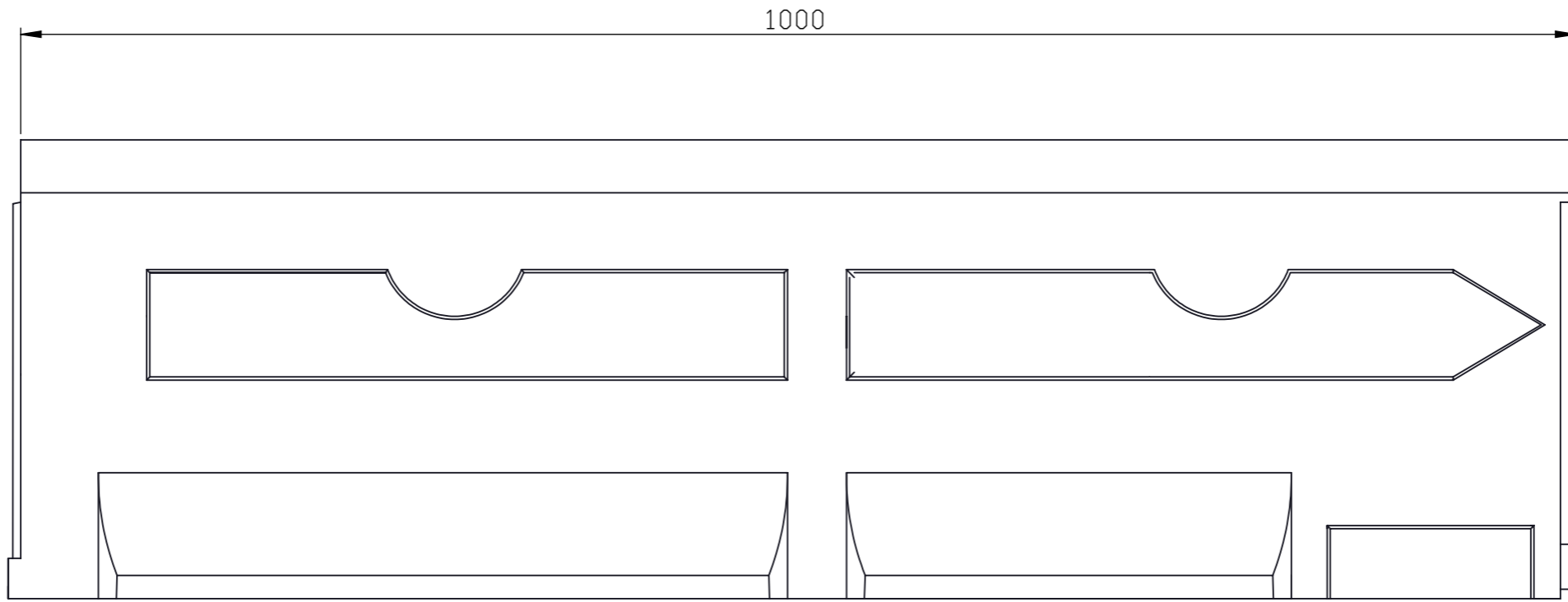
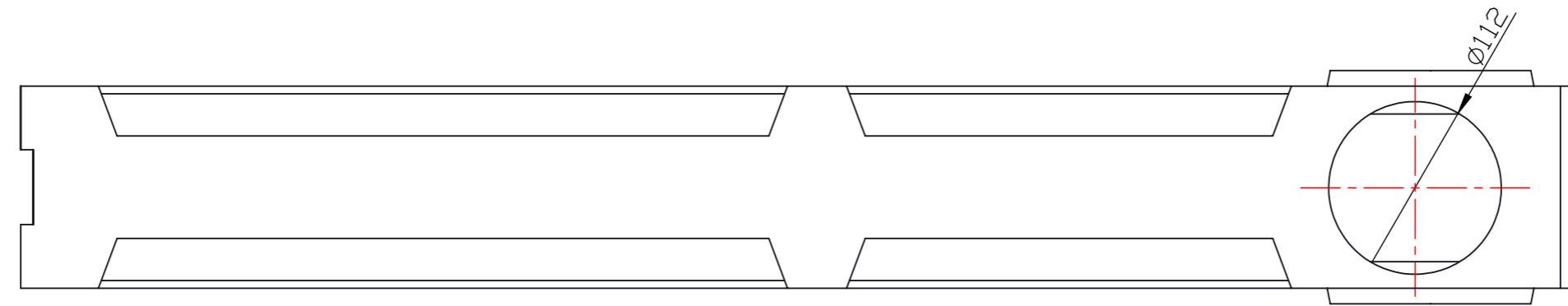
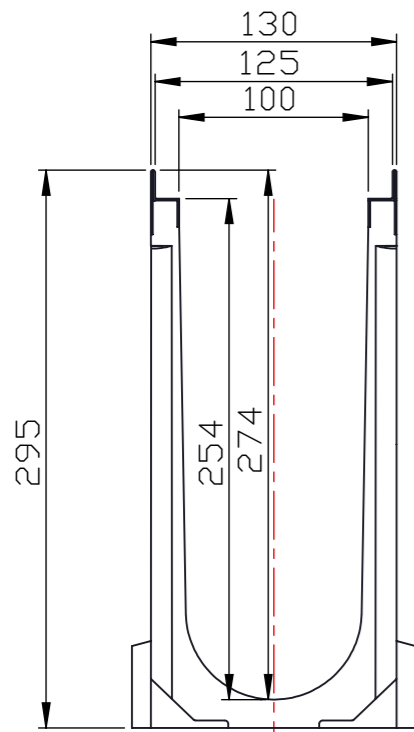
Article number:
SP10195000 / SI10195000




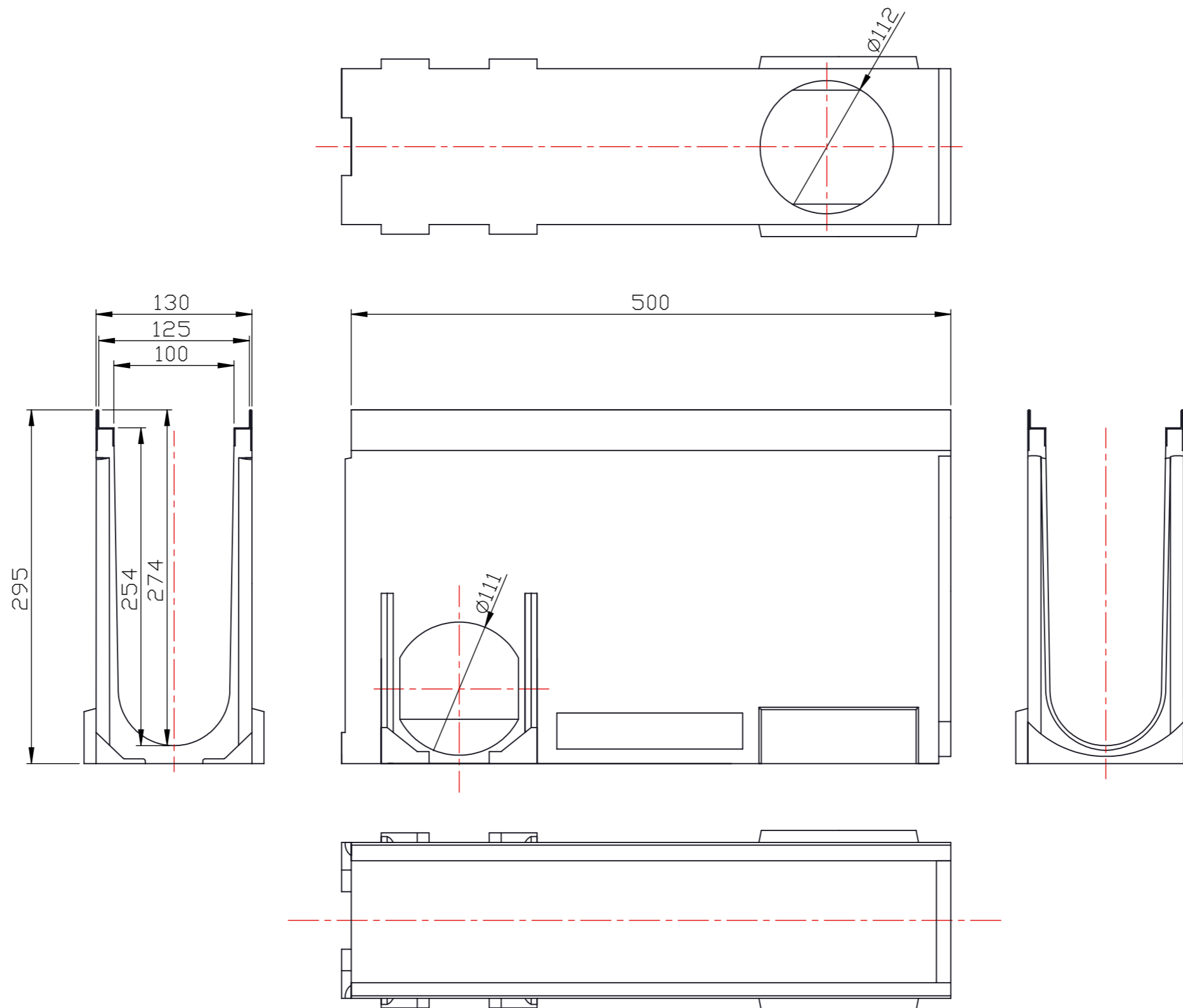
 STORA-DRAIN	Name: PARKING B=100 H=245 L=1000
Material: polyester concrete	Class load: A15 - C250
Protective edge: galvanized / stainless profile	Article number: SP10241000 / SI10241000




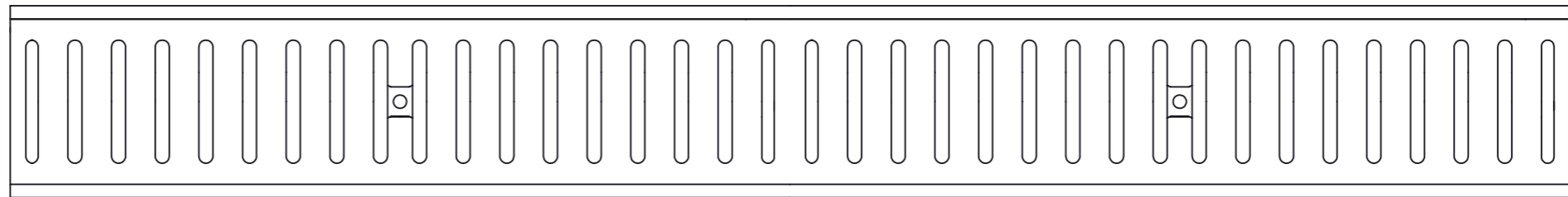
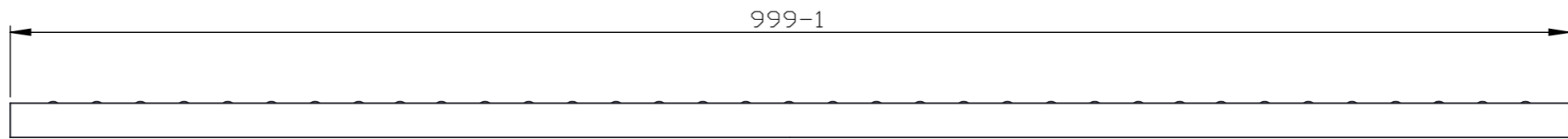
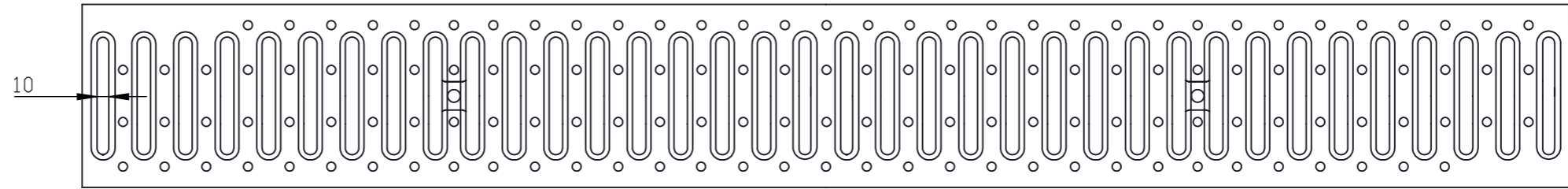
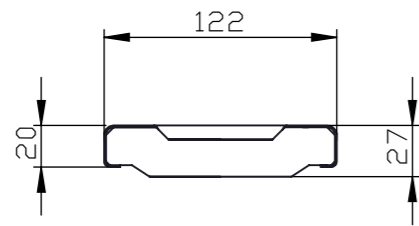
 STORA-DRAIN	Name: PARKING B=100 H=245 L=500
Material: polyester concrete	Class load: A15 - C250
Protective edge: galvanized / stainless profile	Article number: SP10245000 / SI10245000




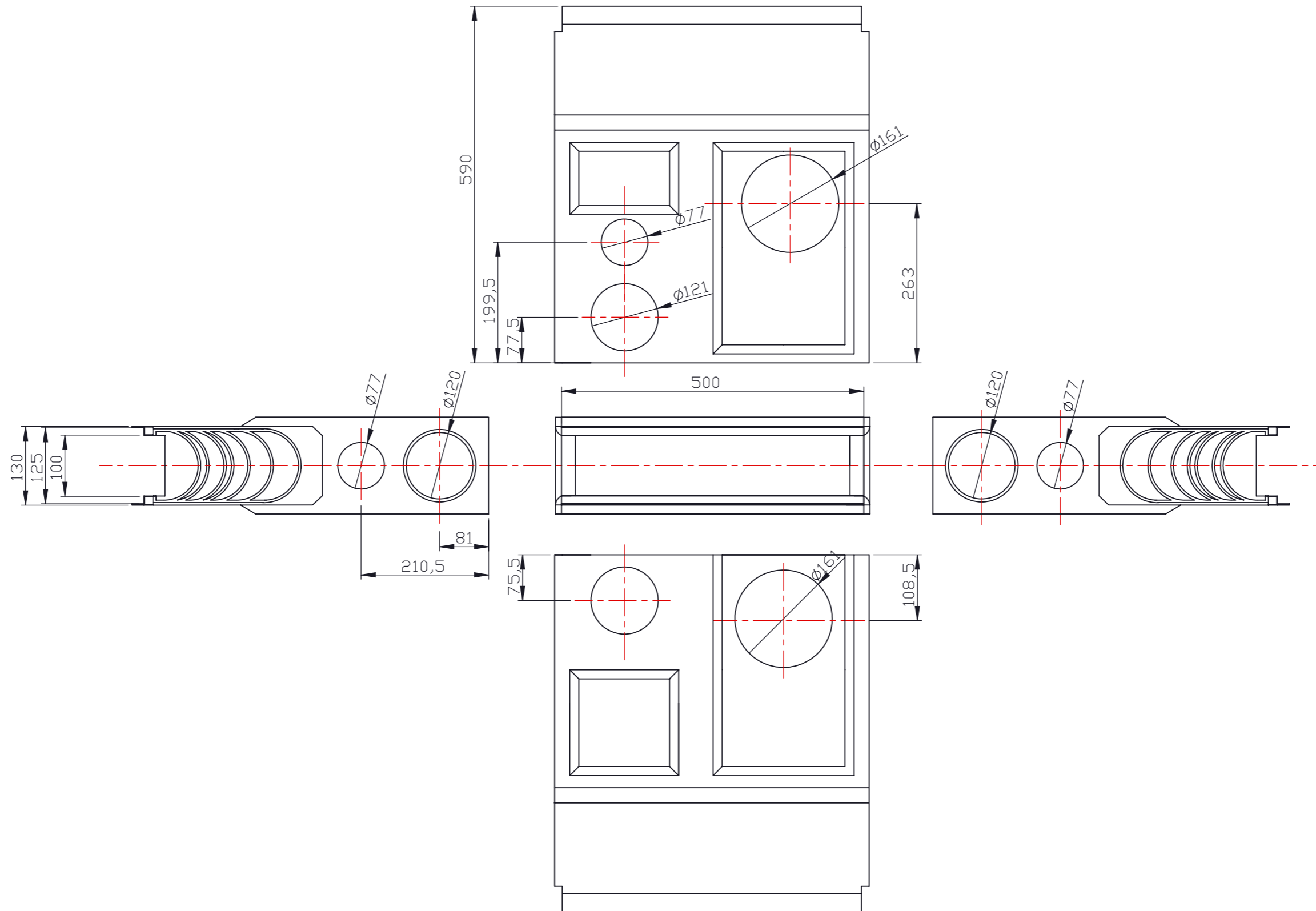
 STORA-DRAIN	Name: PARKING B=100 H=295 L=1000
Material: polyester concrete	Class load: A15 - C250
Protective edge: galvanized / stainless profile	Article number: SP10291000 / SI10291000



 STORA-DRAIN	Name: PARKING B=100 H=295 L=500
Material: polyester concrete	Class load: A15 - C250
Protective edge: galvanized / stainless profile	Article number: SP10295000 / SI10295000



 STORA-DRAIN	Name: Grating PARKING B=100
Material: steel sheet galvanized / stainless	Class load: A15
Anchorage screw M8	Article number: RSP100A104



Name:
Sump unit PARKING
B=100 H=590 L=500

Material:
polyester concrete

Class load:
A15 - C250

Protective edge:
galvanized / stainless profile

Article number:
AU10200000 - AU10800000