
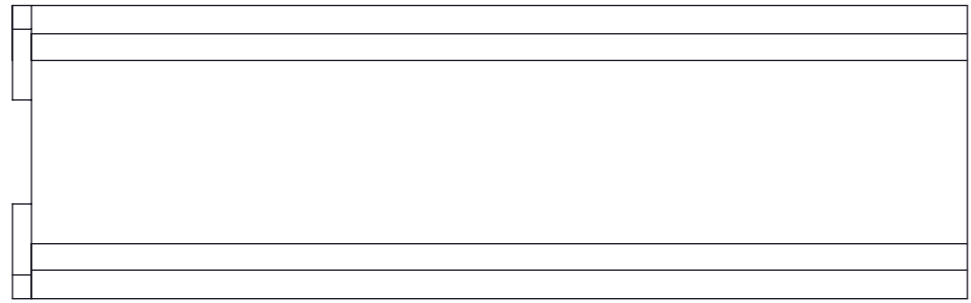
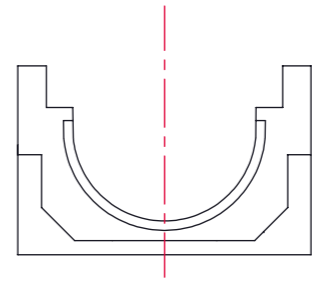
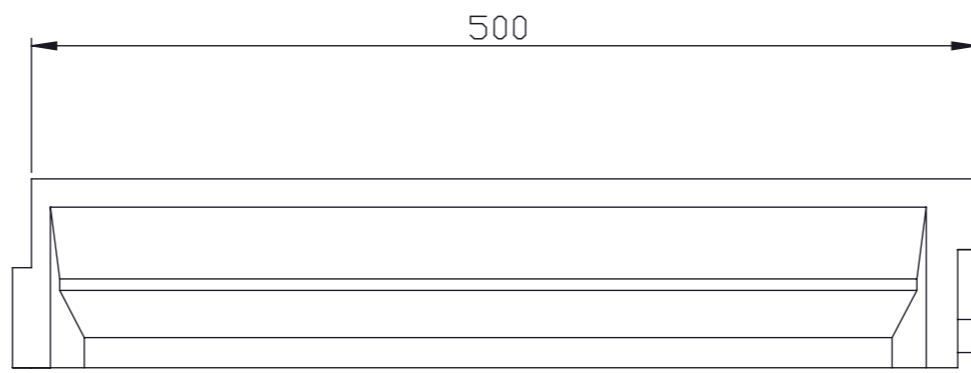
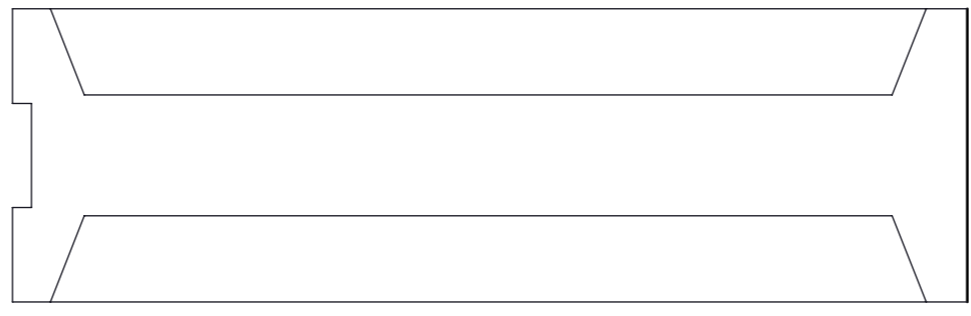
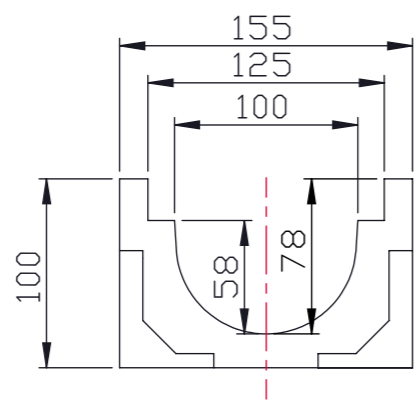

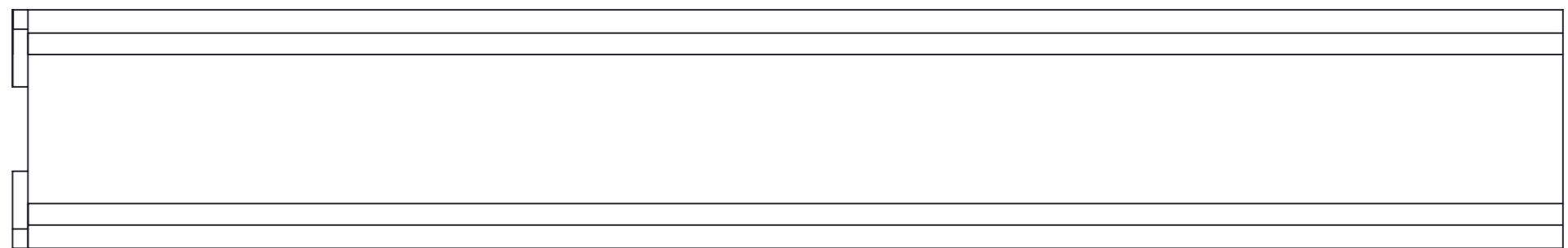
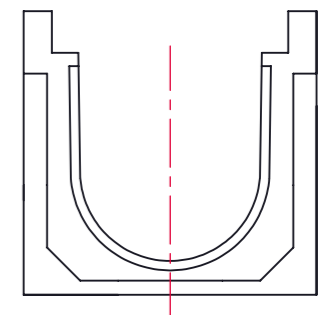
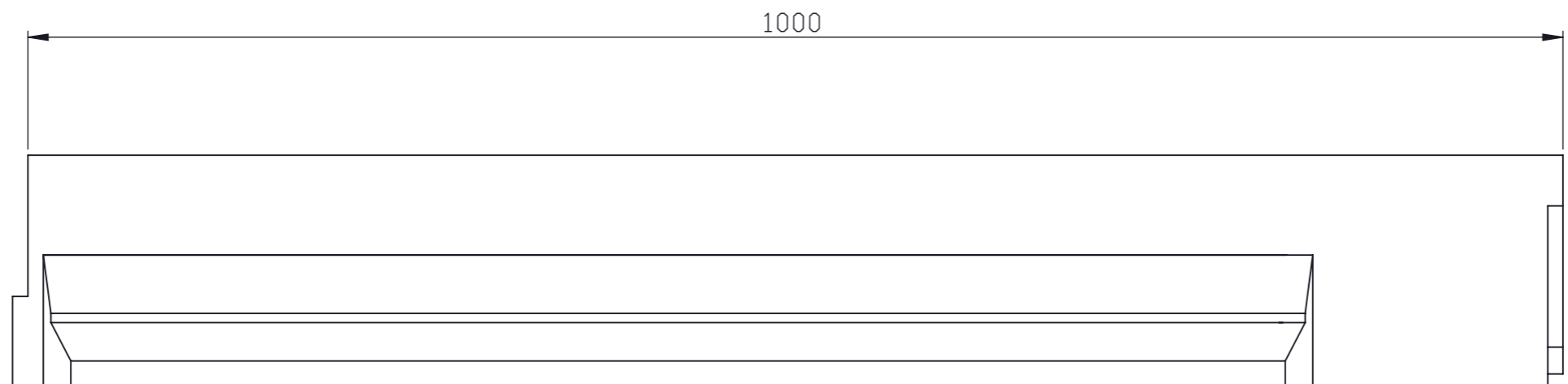
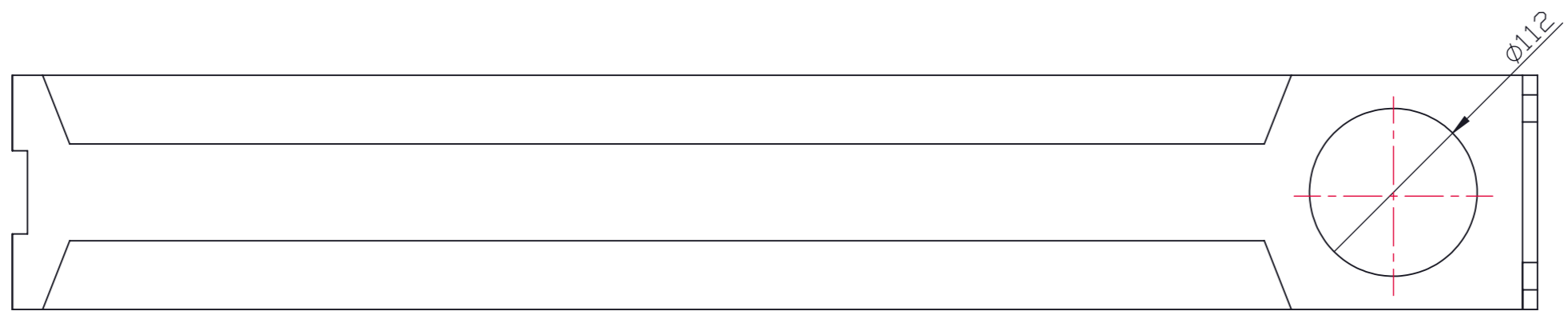
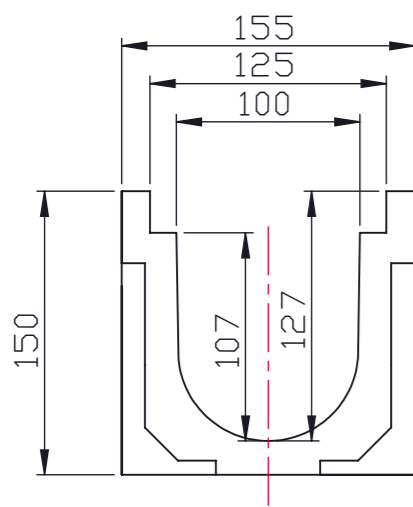
 STORA-DRAIN	Name: TOP B=100 H=65 L=1000
Material: polyester concrete	Class load: A15 - C250
Protective edge: -	Article number: ST10061000




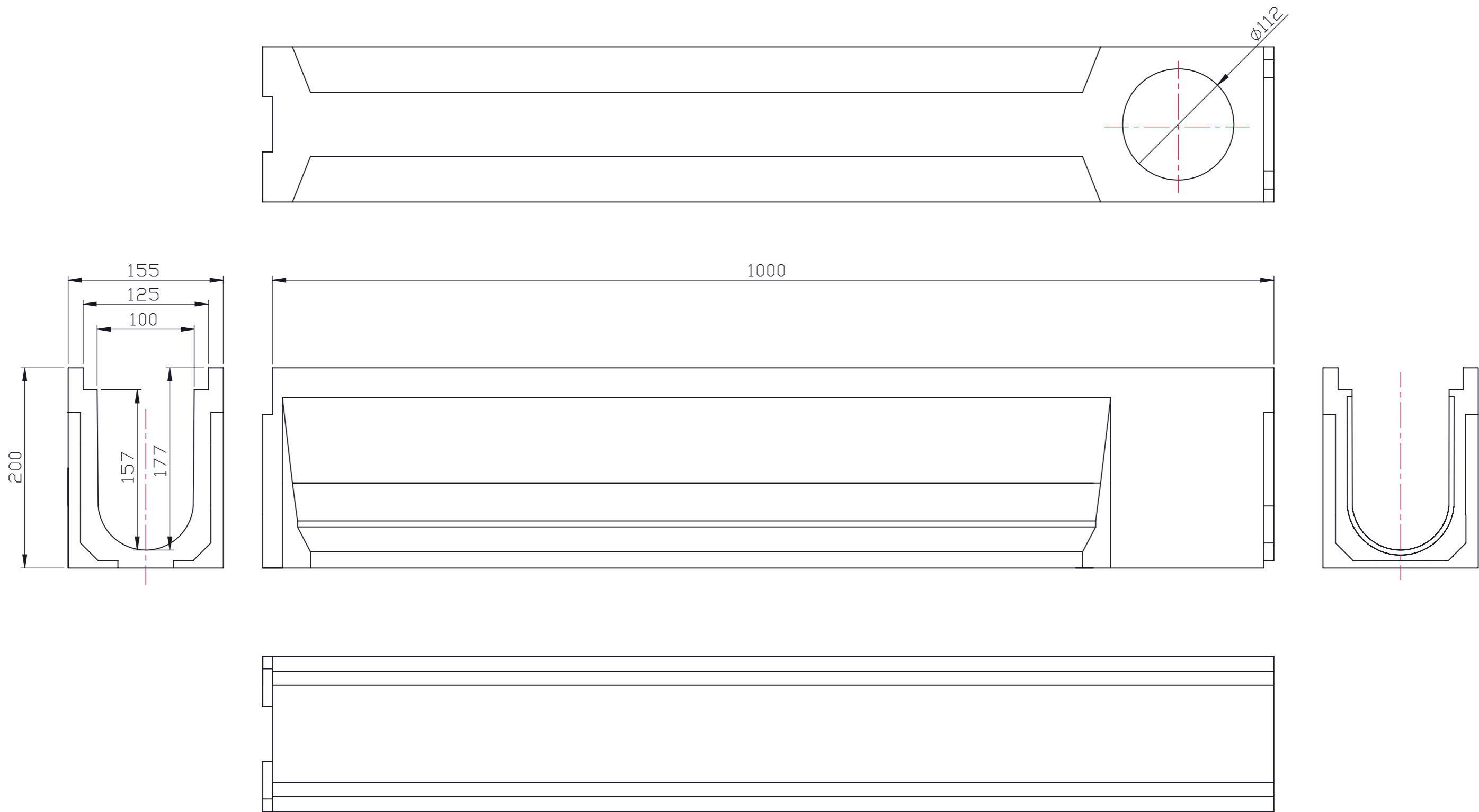
 STORA-DRAIN	Name: TOP B=100 H=100 L=1000
Material: polyester concrete	Class load: A15 - C250
Protective edge: -	Article number: ST10101000




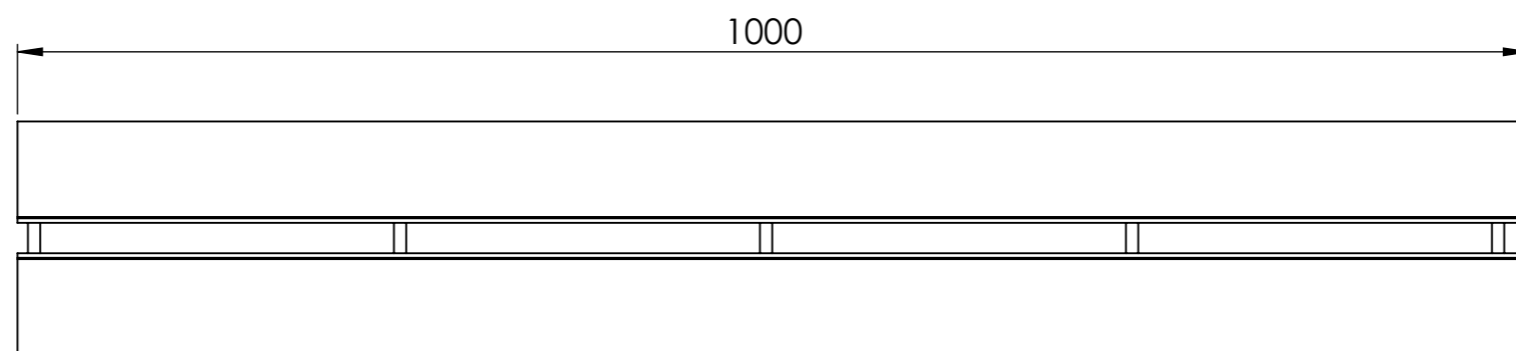
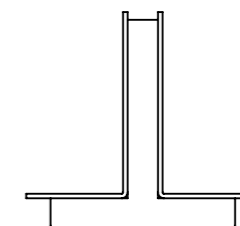
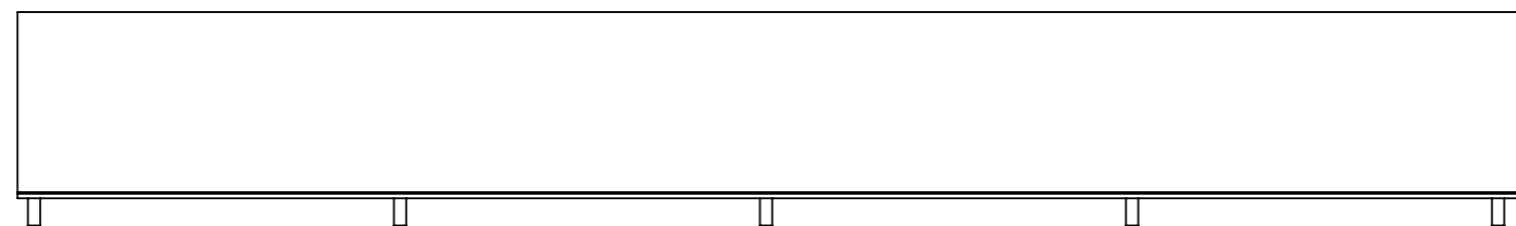
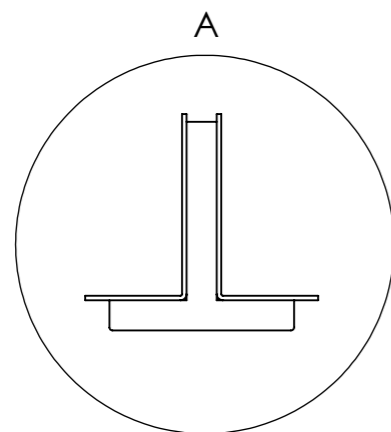
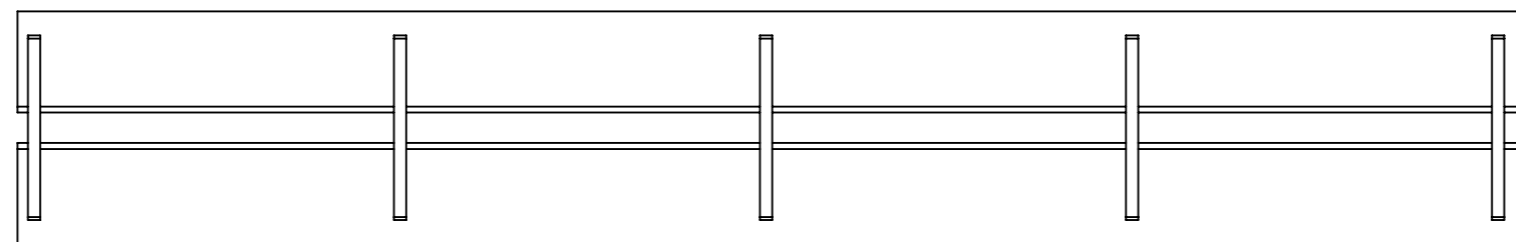
 STORA-DRAIN	Name: TOP B=100 H=100 L=500
Material: polyester concrete	Class load: A15 - C250
Protective edge: -	Article number: ST10105000



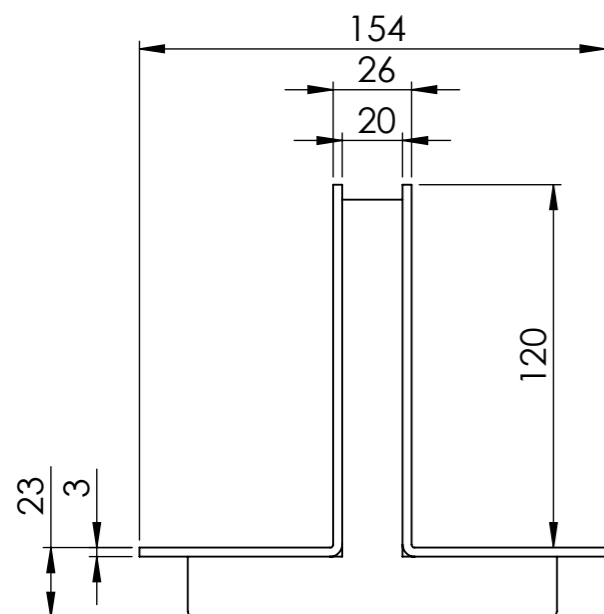
 STORA-DRAIN	Name:	TOP B=100 H=150 L=1000
	Material:	polyester concrete
	Protective edge:	-
	Class load:	A15 - C250
	Article number:	ST10151000




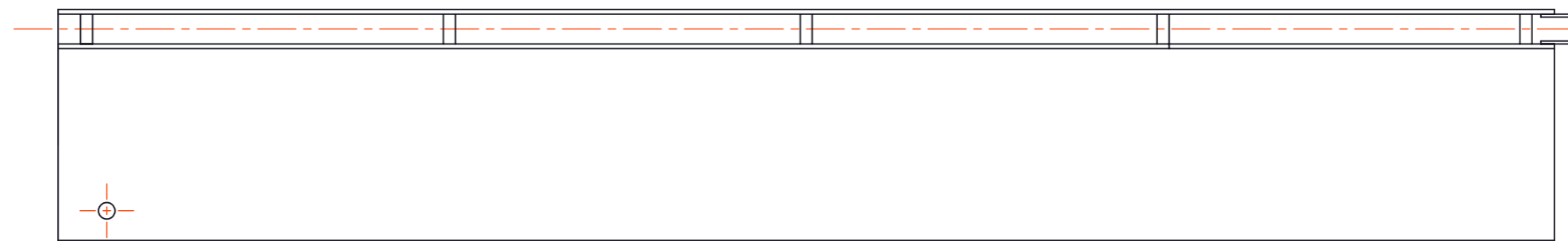
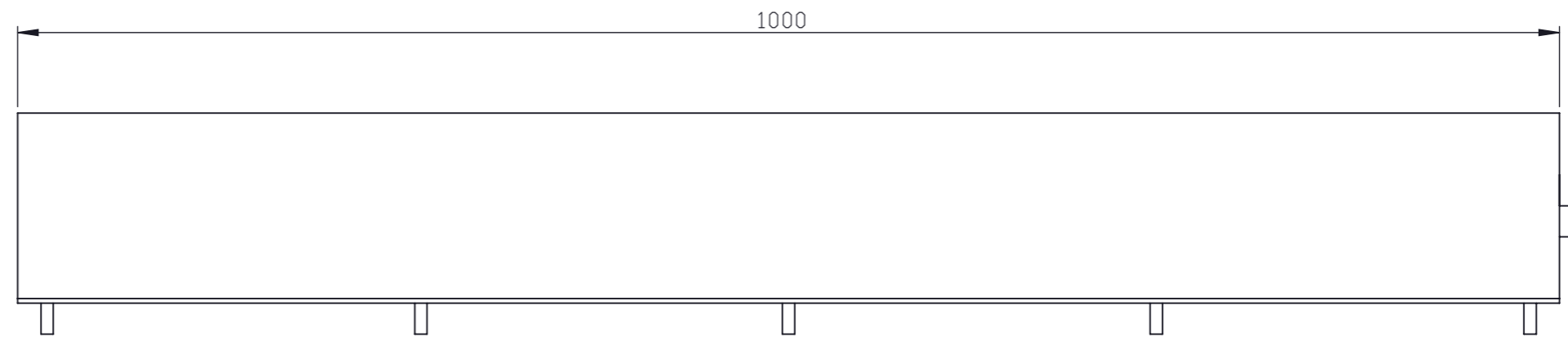
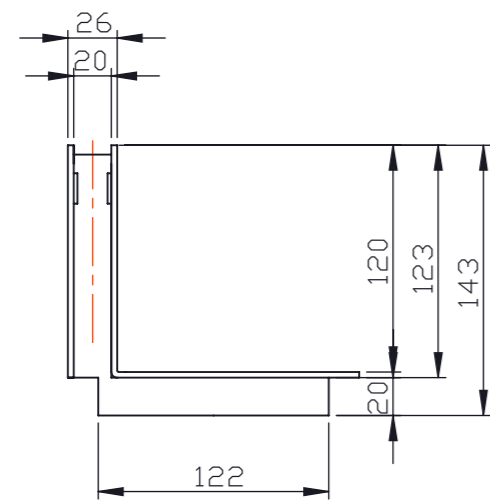
 STORA-DRAIN	Name: TOP B=100 H=200 L=1000
Material: polyester concrete	Class load: A15 - C250
Protective edge: -	Article number: ST10201000




SZCZEGÓŁ A
SKALA 2 : 5



 STORA-DRAIN	Name: Grating galvanized CENTRIC TOP B=100 H=120 L=1000
Material: galvanized steel sheet	Class load: B125
Anchorage -	Article number: RST100B705



 STORA-DRAIN	Name: Grating galvanized EXCENTRIC TOP B=100 H=120 L=1000
Material: galvanized steel sheet	Class load: B125
Anchorage -	Article number: RST100B712