

Name:

SELF HOME B=100 H=90 L=1000

Material:

polyester concrete

Class load:

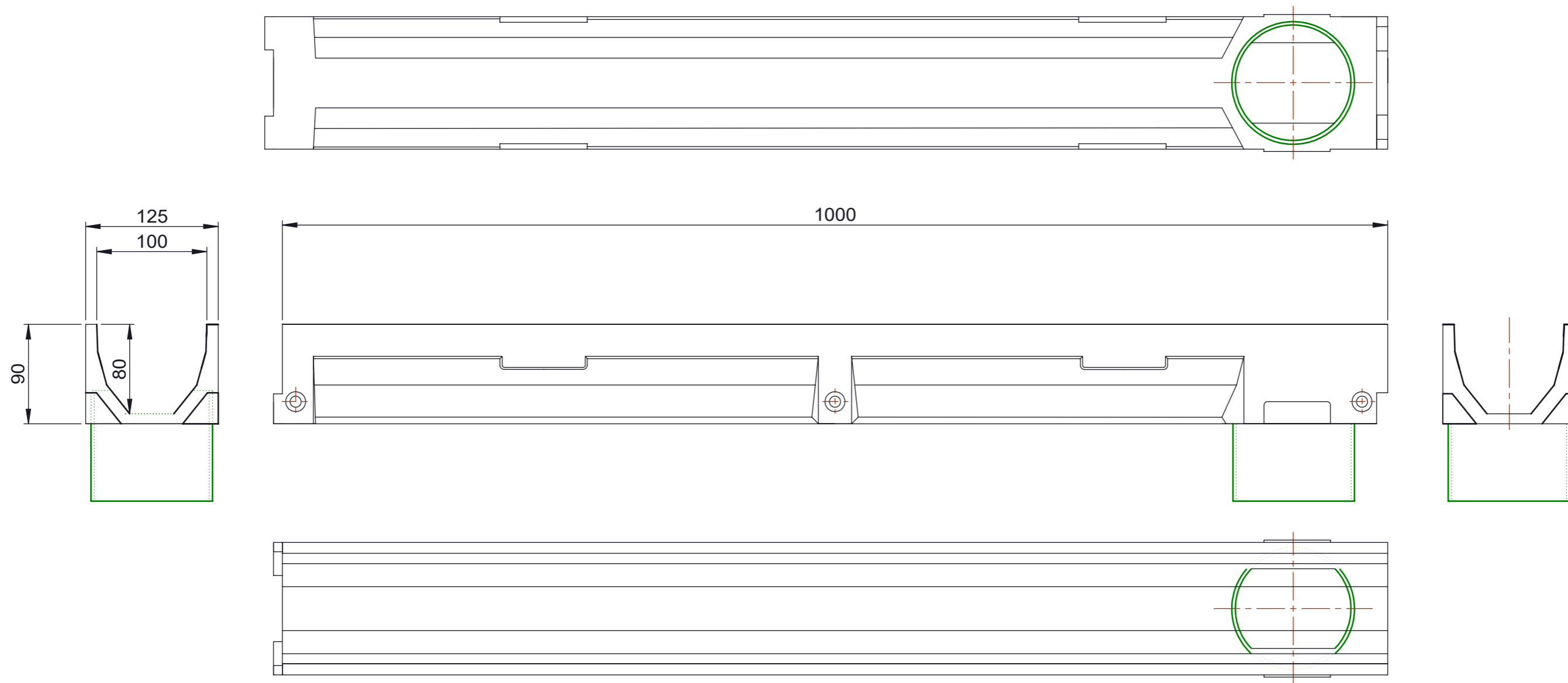
A15

Protective edge:

-

Article number:

SE10091000S



STORA-DRAIN

Name:

SELF HOME B=100 H=90 L=1000

Material:

polyester concrete

Class load:

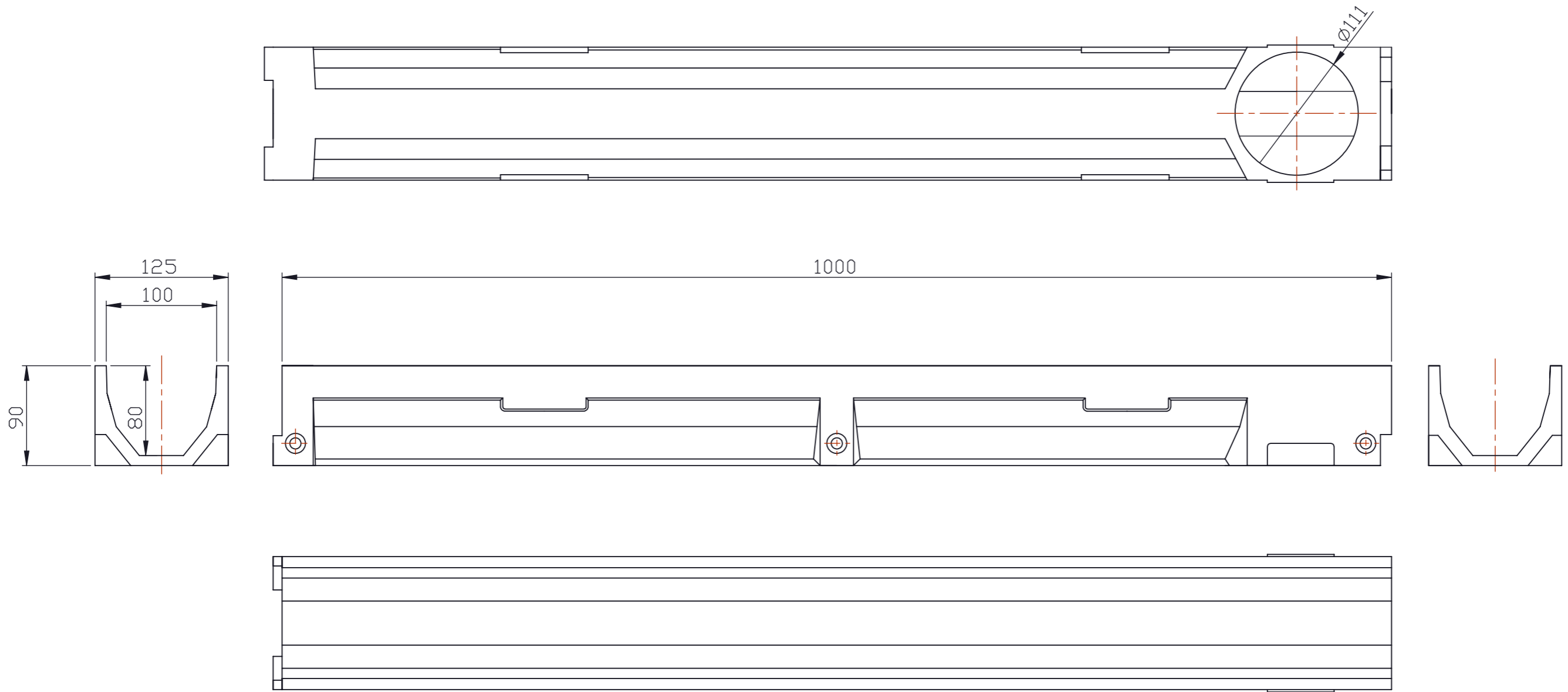
A15


Protective edge:

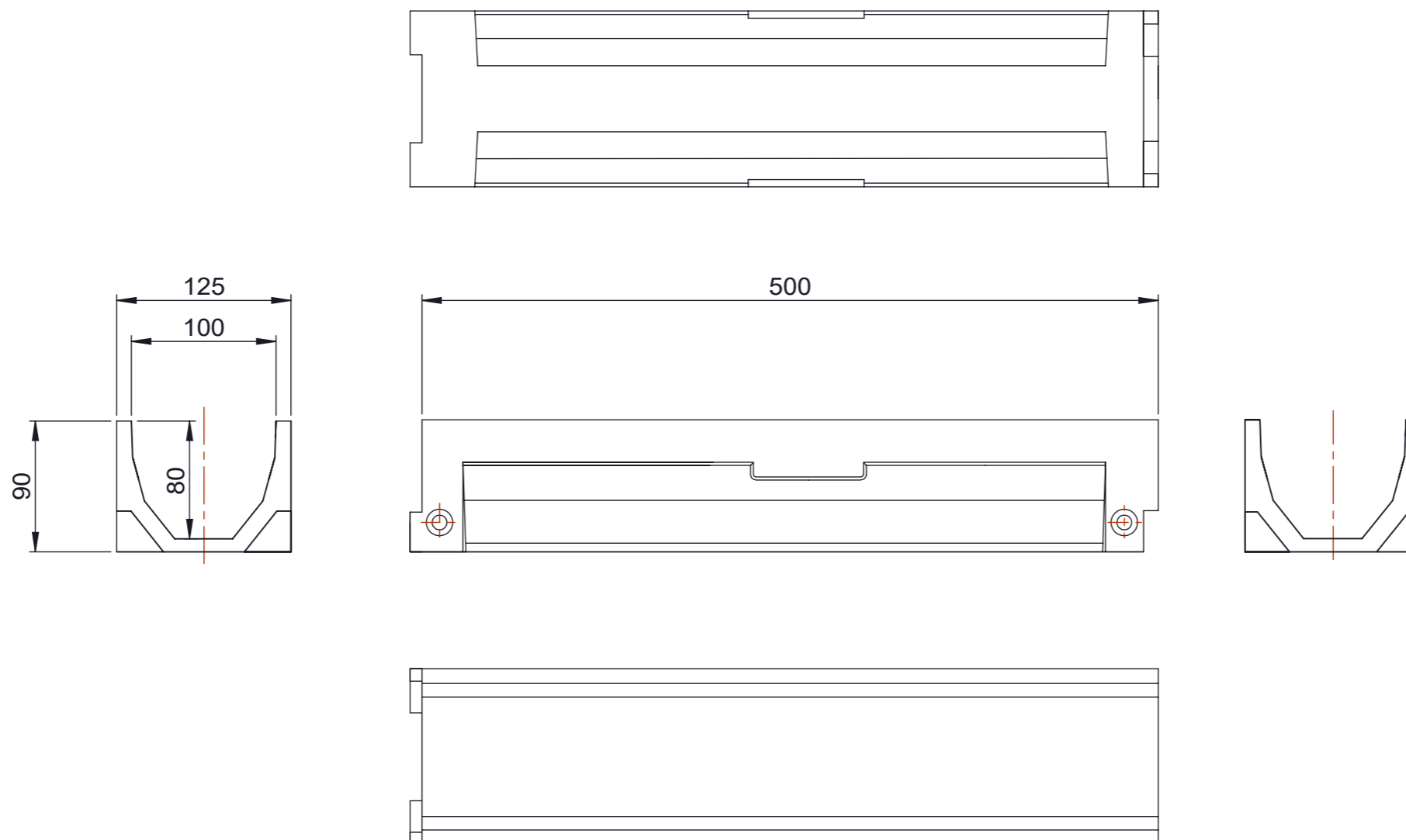
-


Article number:

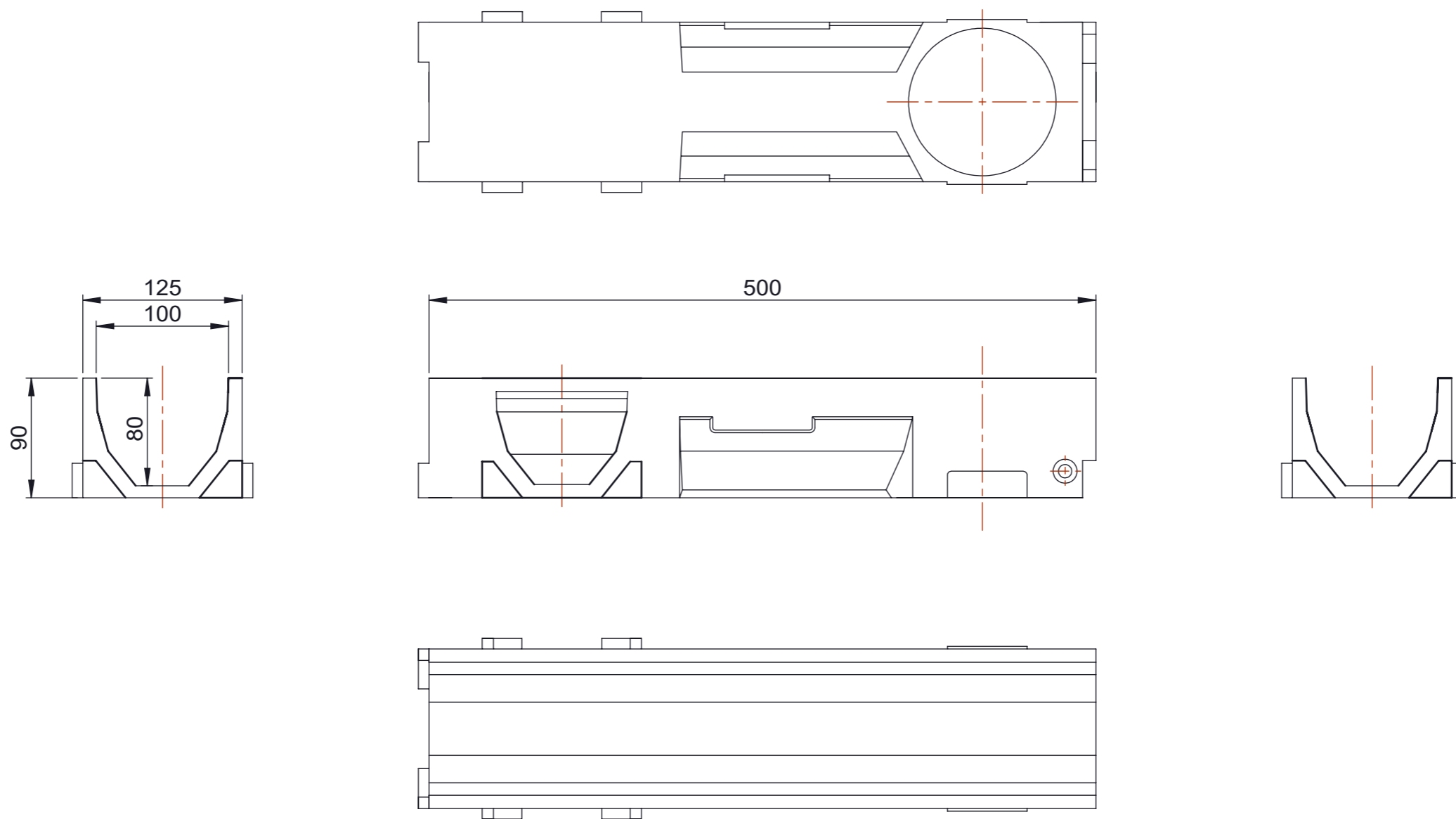
SE10091000P




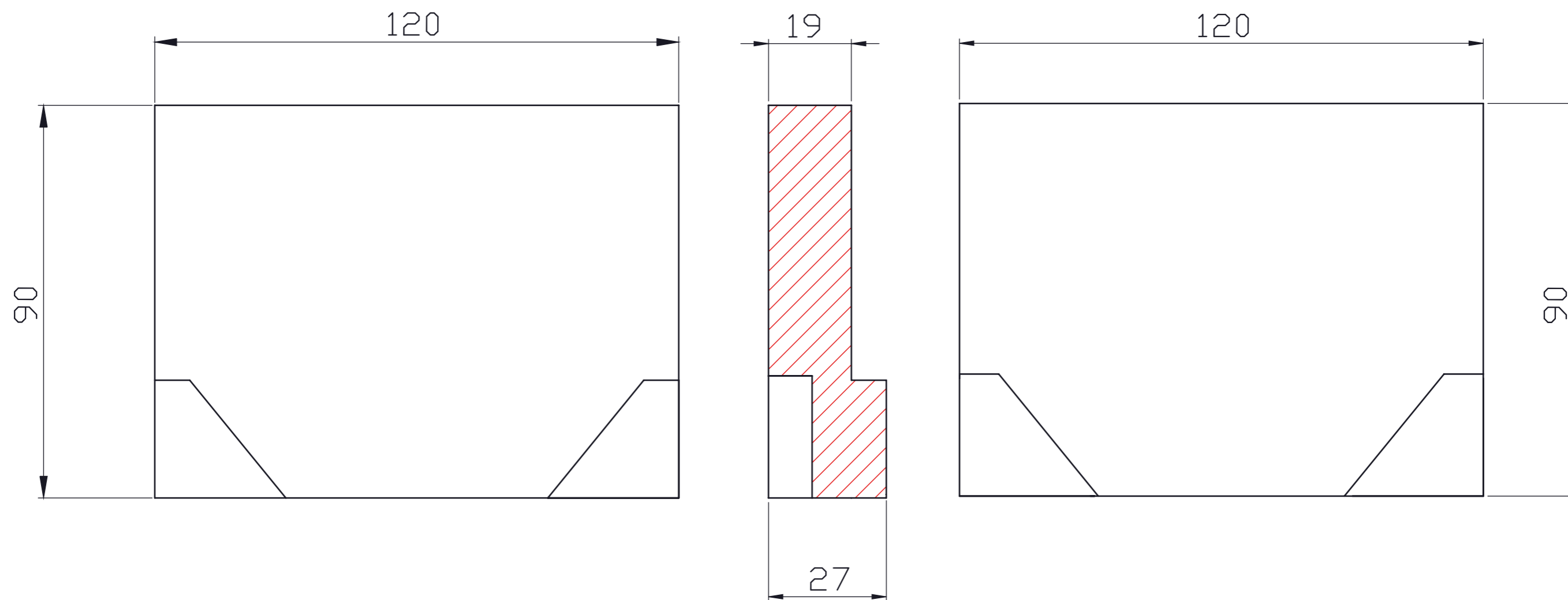
 STORA-DRAIN	Name: SELF HOME B=100 H=90 L=1000
Material: polyester concrete	Class load: A15
Protective edge: -	Article number: SE10091000U




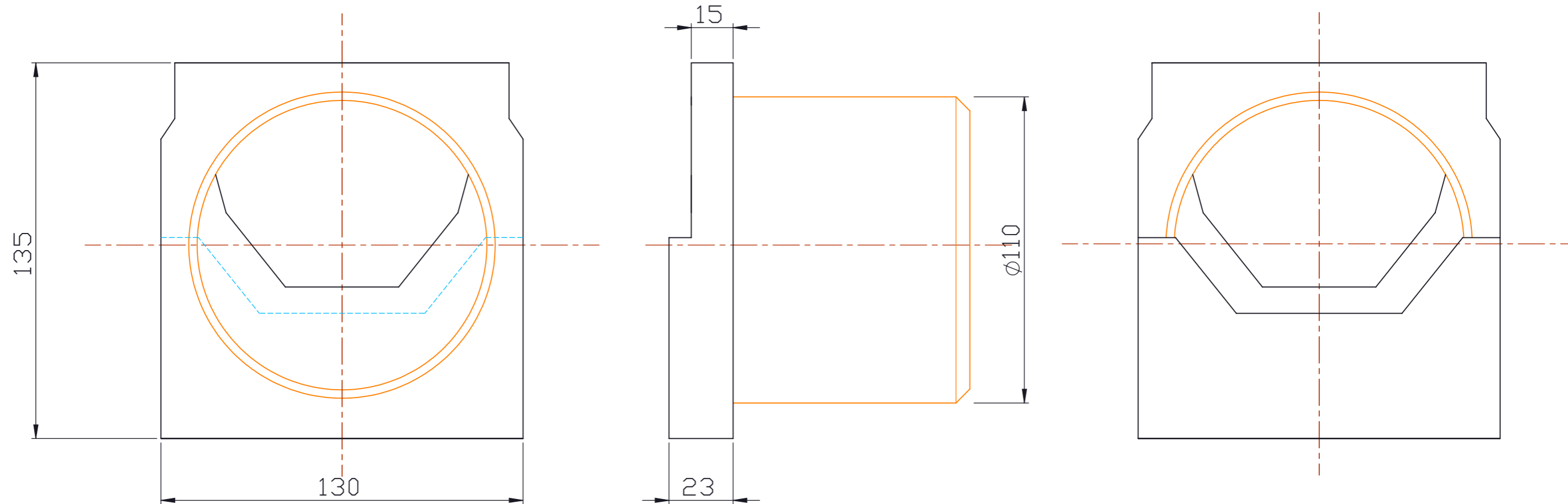
 STORA-DRAIN	Name: SELF HOME B=100 H=90 L=500
Material: polyester concrete	Class load: A15
Protective edge: -	Article number: SE10095000S




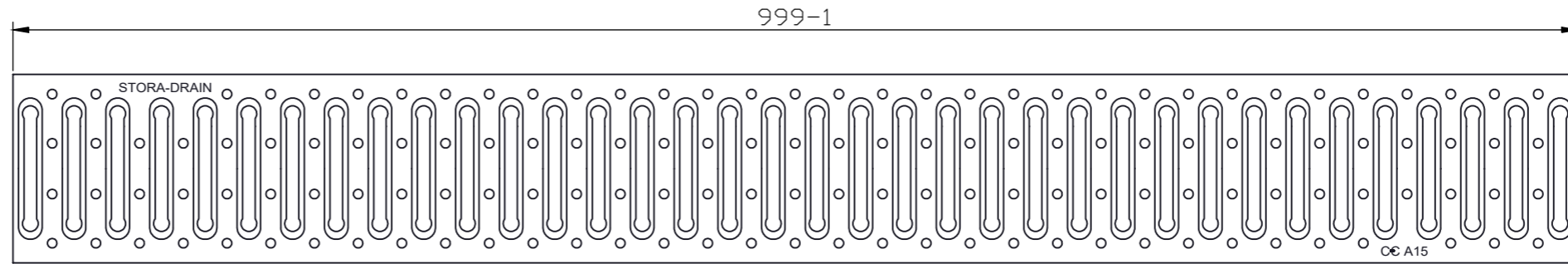
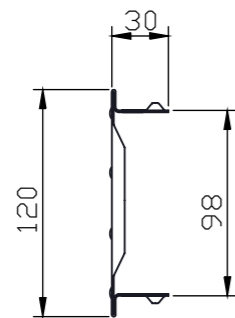
 STORA-DRAIN	Name: SELF HOME B=100 H=90 L=500
Material: polyester concrete	Class load: A15
Protective edge: -	Article number: SE10095000U




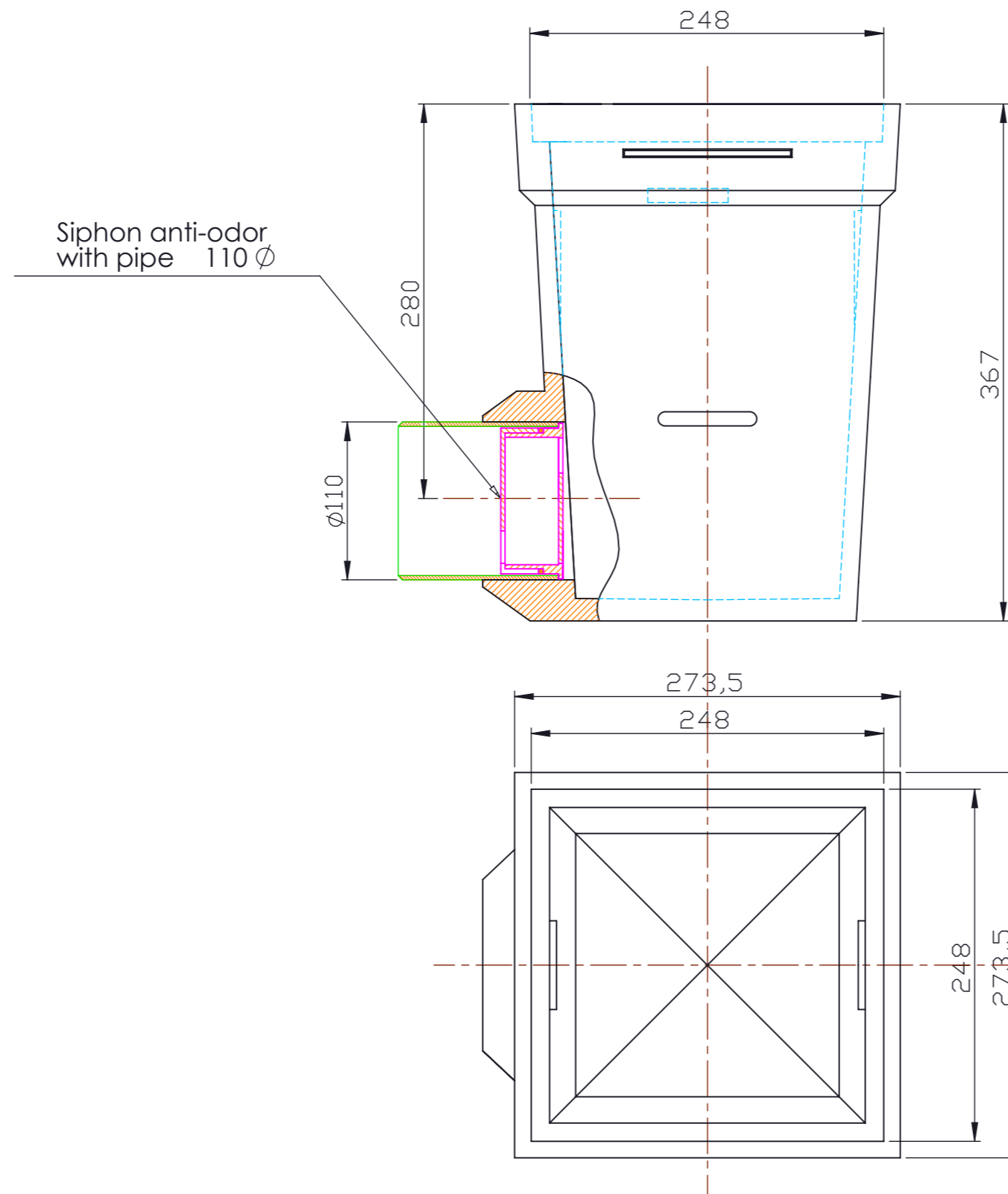
 STORA-DRAIN	Name: Front wall with no exit HOME B=100 H=90
Material: polyester concrete	Anchorage: sealing mass
Protective edge: -	Article number: AE10072000



 STORA-DRAIN	Name: Front wall with exit HOME B=100 H=90
Material: polyester concrete	Anchorage: sealing mass
Protective edge: -	Article number: AE10082000



 STORA-DRAIN	Name: Grating galvanized slotted 10 mm SELF B=100
Material: galvanized steel sheet	Class load: A15
Anchorage: fix	Article number: RSE100A100



 **STORA-DRAIN**

Name:

Garden gully

Material:

polyester concrete

Class load:

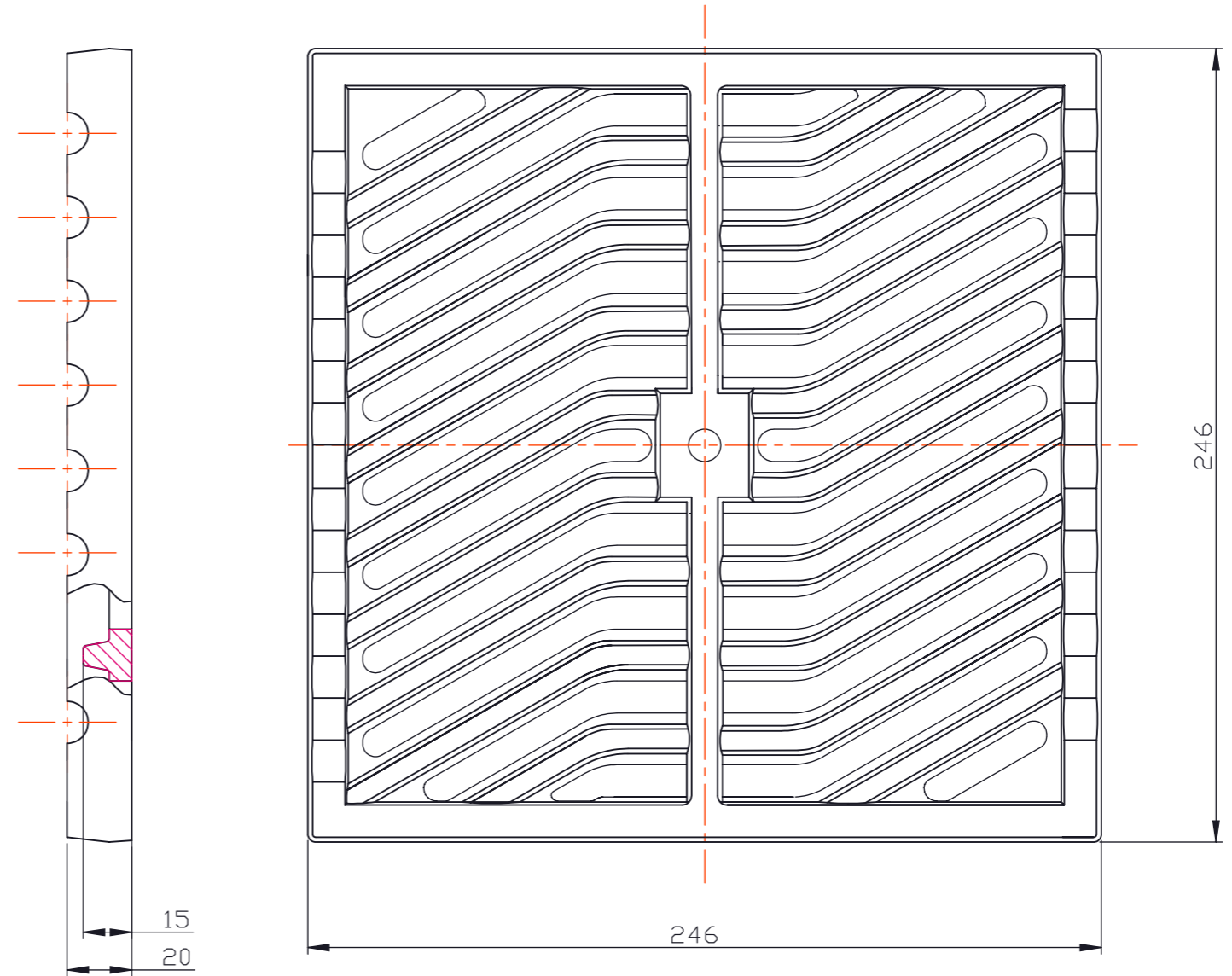
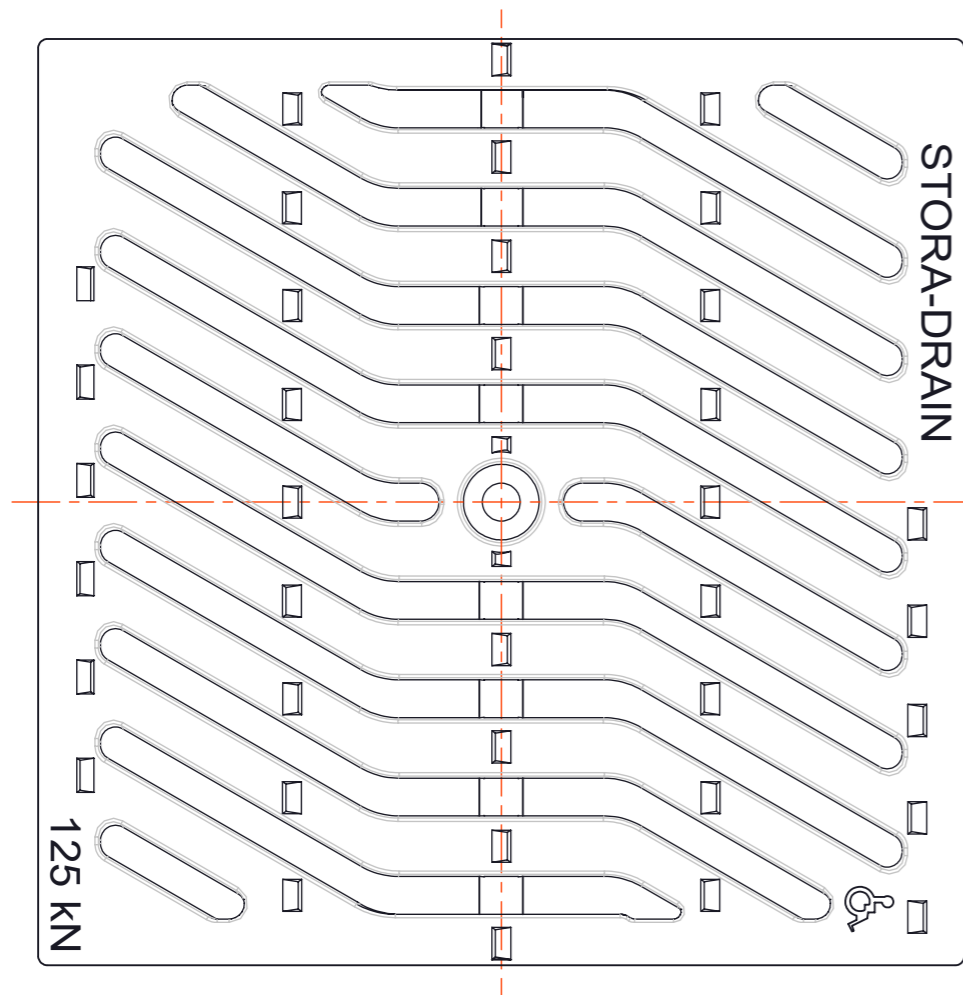
-


Protetctive edge:

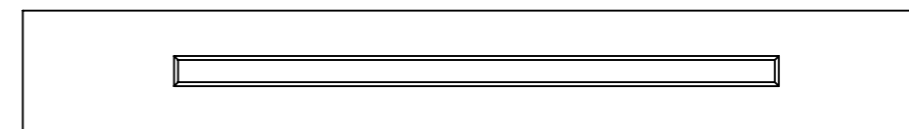
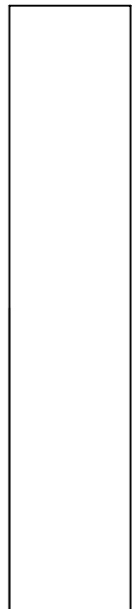
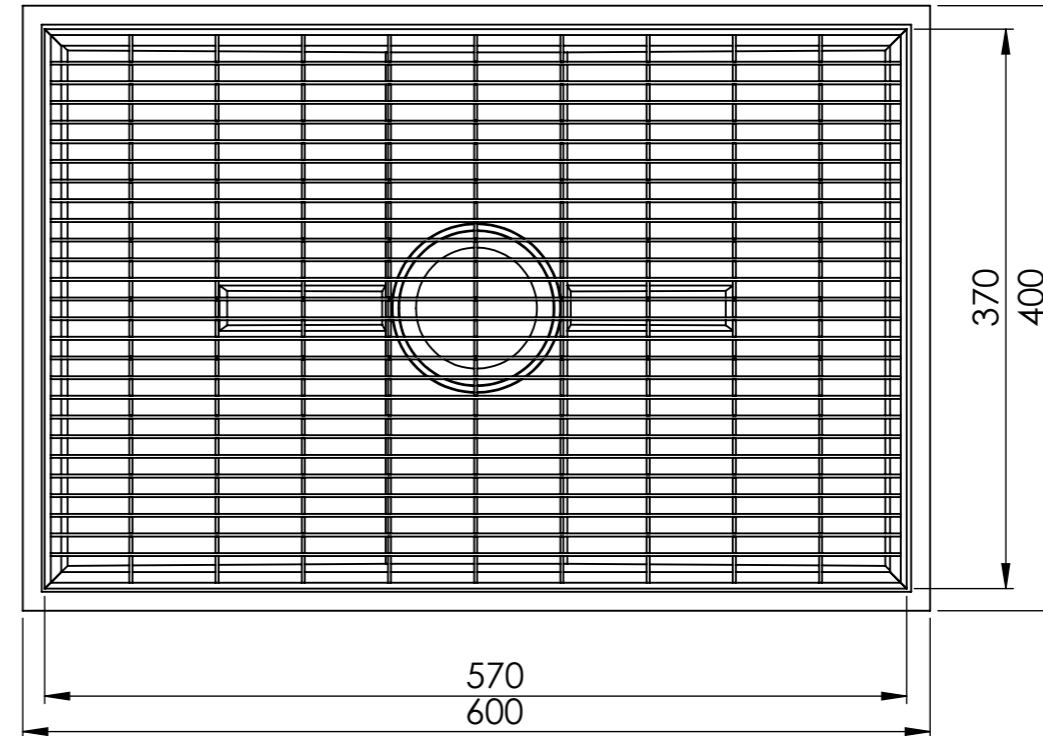
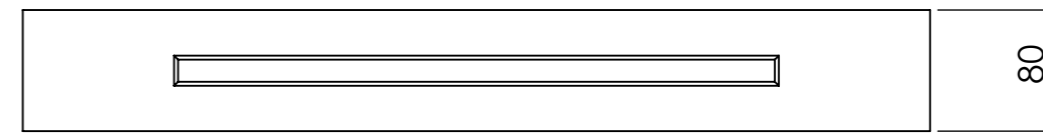
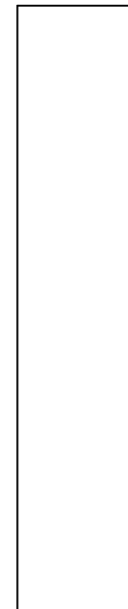
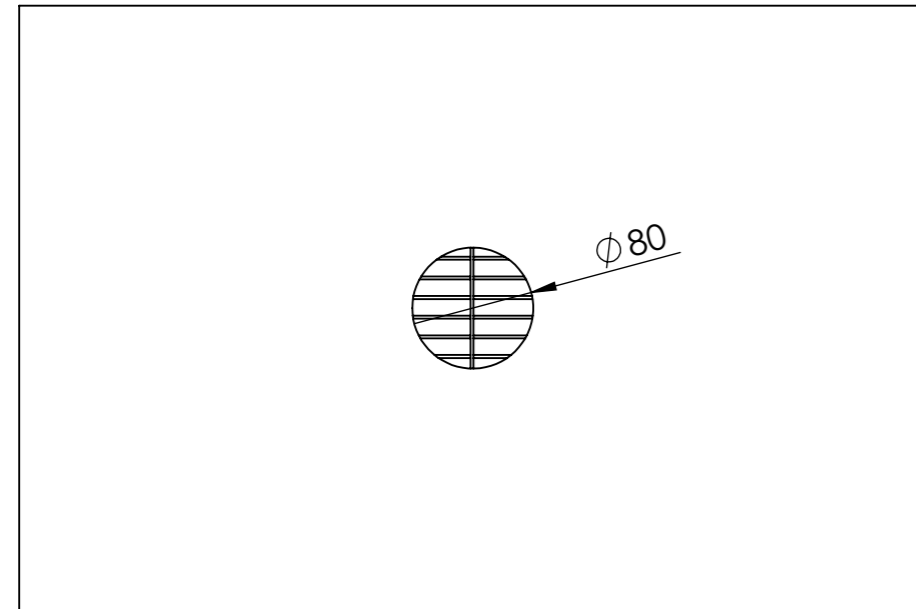
-


Article number:

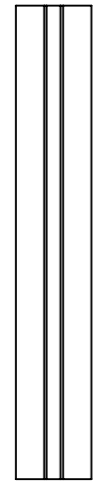
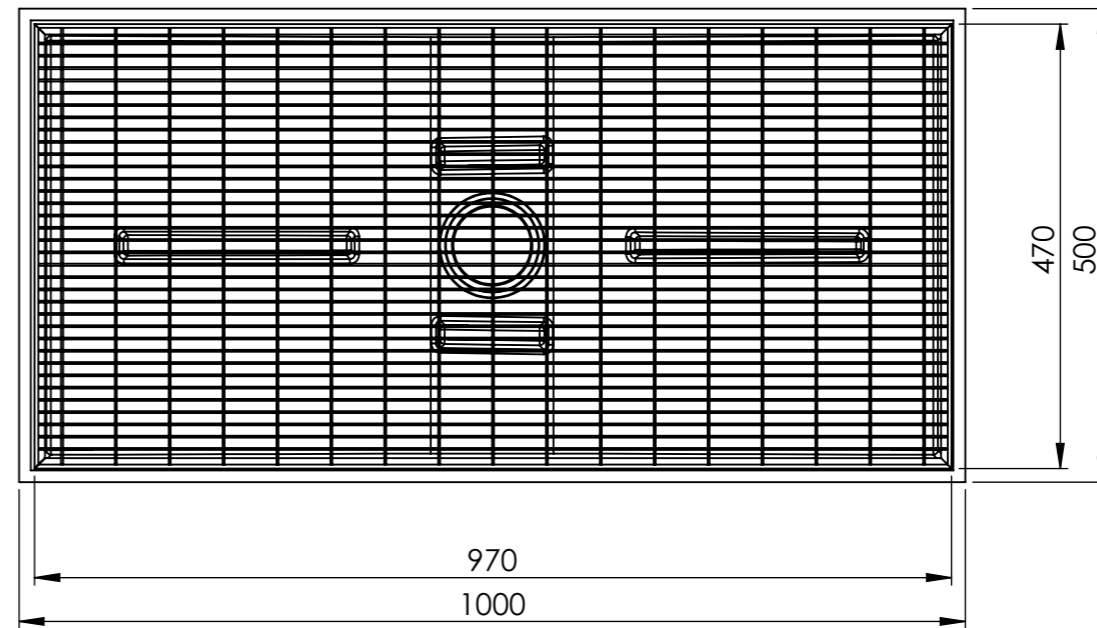
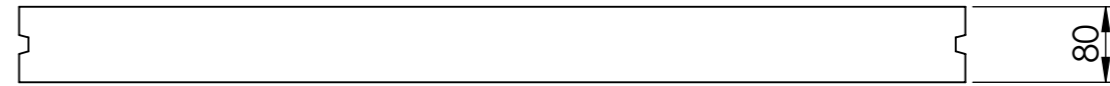
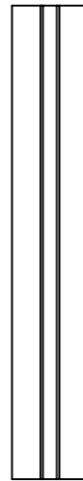
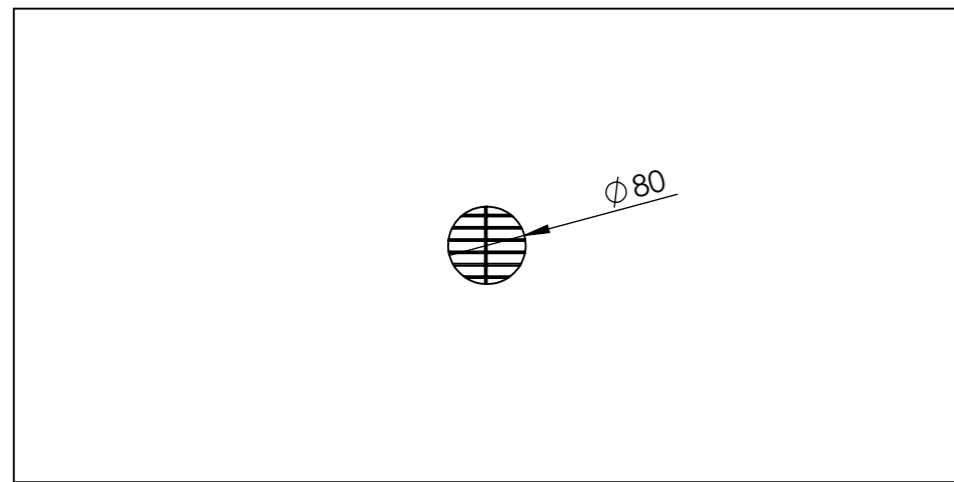
SG25250000




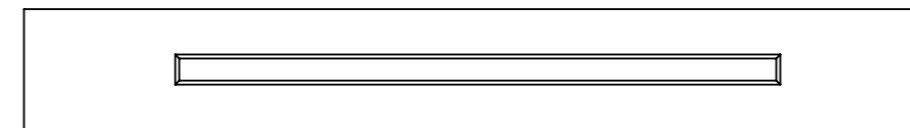
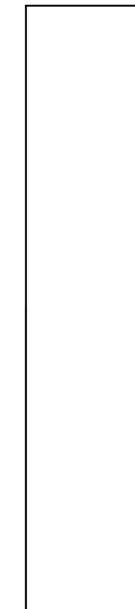
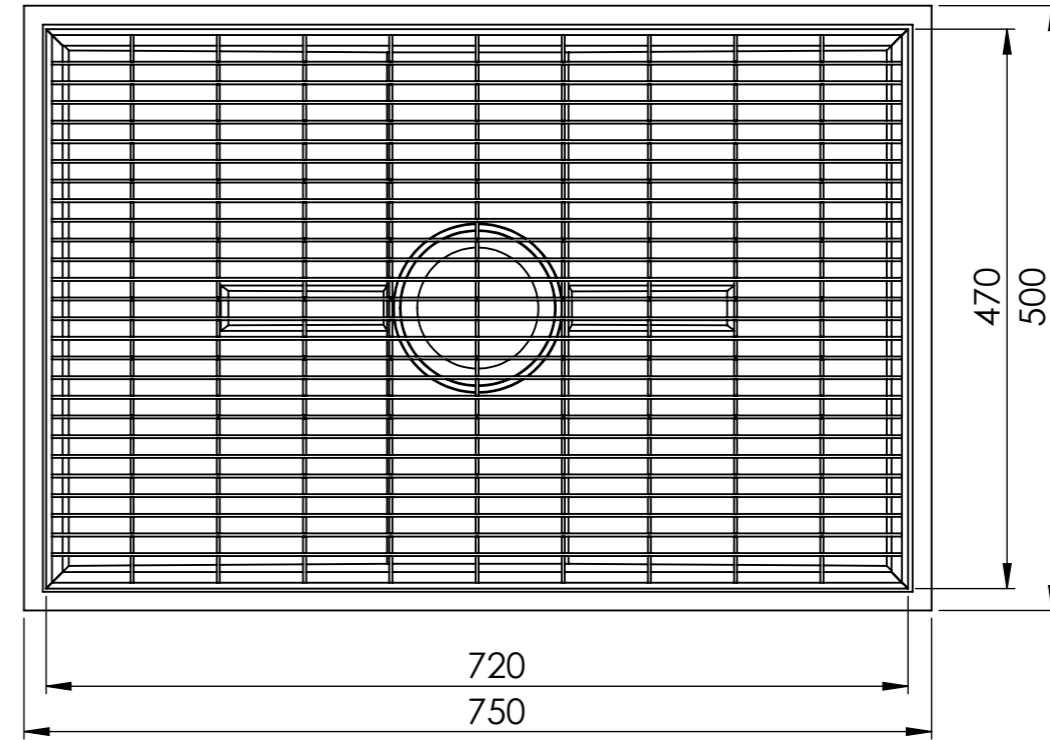
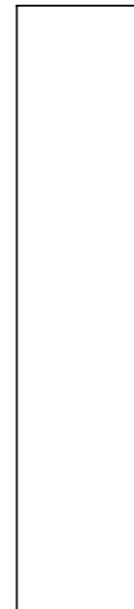
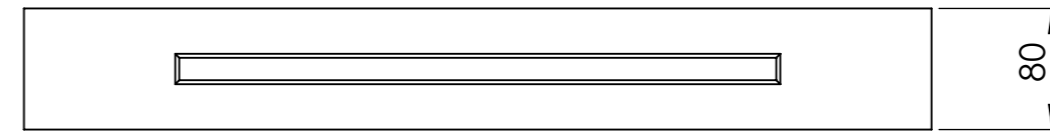
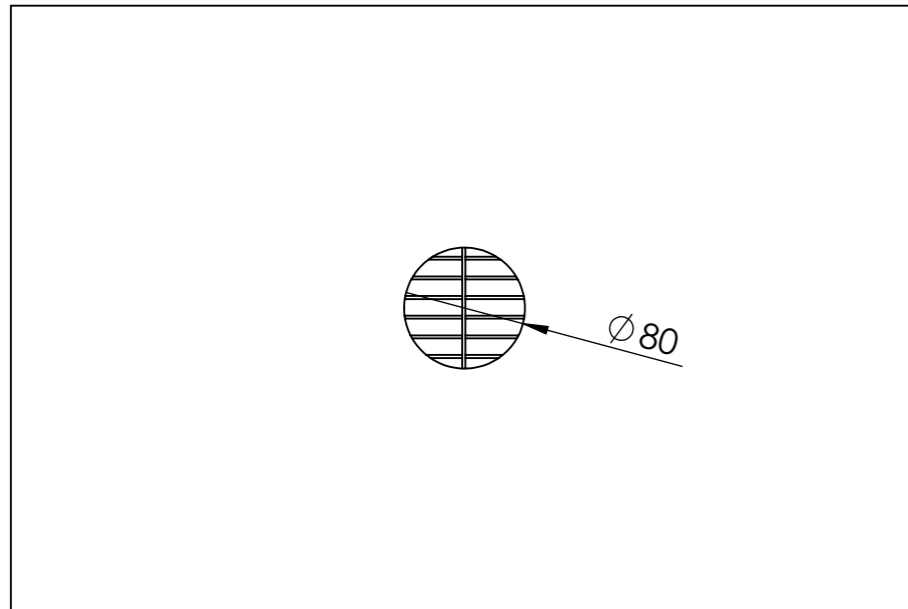
 STORA-DRAIN	Name: Garden gully grating
Material: ductile iron cast	Class load: -
Anchorage: screw M8	Article number: RSG024C711




 STORA-DRAIN	Name: Doormat with mesh galvanized grating L=600 D=400 H=80
Material: polyester concrete	Class load: -
Protective edge: polyester concrete	Article number: SW60401804



 STORA-DRAIN	Name: Doormat with mesh galvanized grating L=1000 D=500 H=80
Material: polyester concrete	Class load: -
Protective edge: polyester concrete	Article number: SW10501806



 STORA-DRAIN	Name: Doormat with mesh galvanized grating L=750 D=500 H=80
Material: polyester concrete	Class load: -
Protective edge: polyester concrete	Article number: SW75501805